



# 跨越技术壁垒

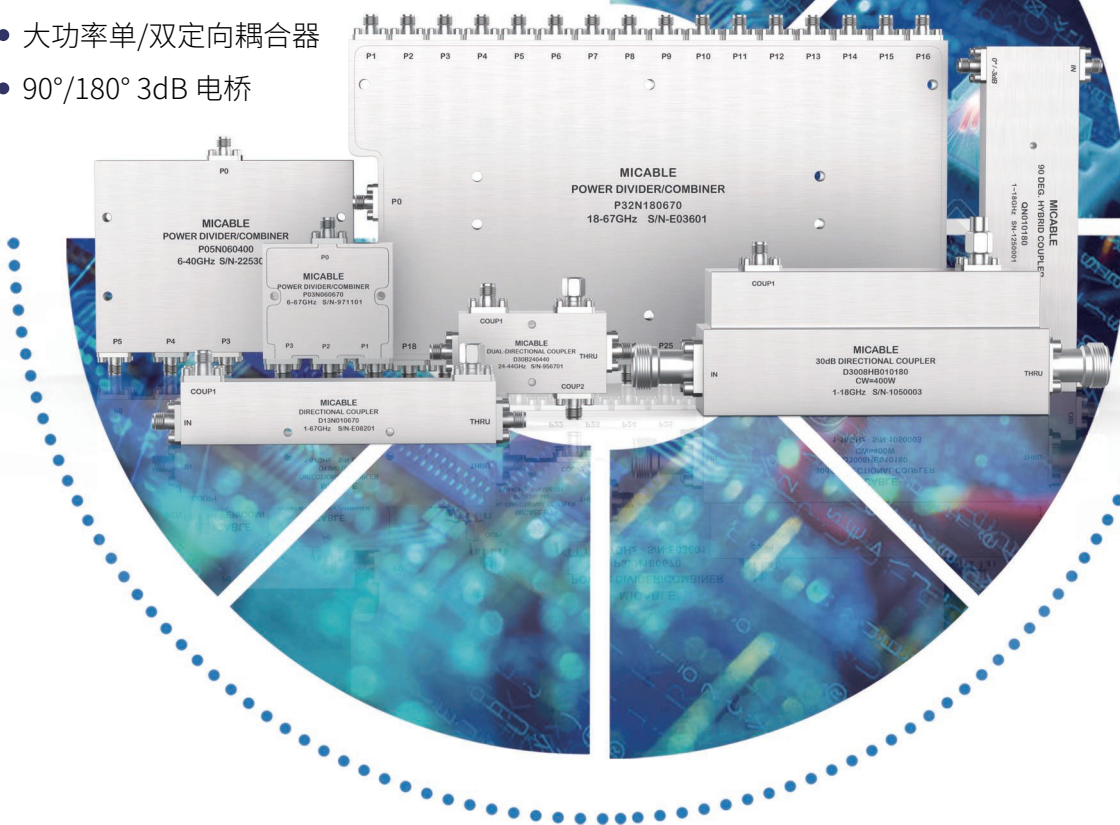


多自由度: 面向工程定制

超宽带全频工作: 0.3~67GHz

## 无源产品系列

- 功率分配/合成器
- 单/双向定向耦合器
- 大功率单/双向定向耦合器
- 90°/180° 3dB 电桥



福建迈可博电子科技集团股份有限公司

[www.micable.cn](http://www.micable.cn)

# Contents

## 目 录

03-08	工作频段速查表
09	封装及应用环境说明
10-15	功率分配器/合成器
16-23	单/双定向耦合器
24-29	大功率单/双定向耦合器
30-31	90°/180° 3dB 电桥

PN系列超宽带功率分配器/合成器速查表

工作频段(GHz)	2路	3路	4路	5路	6路	8路	10路	12路	16路	32路
0.3~18	●	●	●		●	●		●		
0.3~26.5	●	●	●			●				
0.3~40	●	●	●		●	●				
0.3~50	●									
0.3~67	●									
0.45~6	●	●	●		●	●		●	●	
0.45~8	●	●	●		●	●		●	●	
0.5~18	●	●	●	●	●	●	●	●	●	
0.5~20	●	●	●		●	●				
0.5~26.5	●	●	●		●	●				
0.5~40	●	●	●			●				
0.5~50	●									
0.5~67	●									
1~18	●	●	●	●	●	●	●	●	●	
1~26.5	●	●	●		●	●				
1~40	●	●	●		●	●				
1~50	●		●			●				
1~67	●		●			●				
2~18	●	●	●	●	●	●	●	●	●	●
2~26.5	●	●	●	●	●	●				
2~40	●	●	●		●	●				
2~50	●		●			●				
2~67	●		●			●				
6~18	●	●	●	●	●	●	●	●	●	●
6~26.5	●	●	●	●	●	●	●	●	●	●
6~40	●	●	●	●	●	●	●	●	●	●
6~50	●	●	●			●				
6~67	●	●	●			●				
18~26.5	●	●	●	●	●	●	●	●	●	●
18~40	●	●	●	●	●	●	●	●	●	●
18~50	●	●	●			●			●	
18~67	●	●	●			●			●	
24~44(5G)	●	●	●	●	●	●	●	●	●	●
26.5~40	●	●	●	●	●	●	●	●	●	●
26.5~50	●	●	●			●			●	
26.5~67	●	●	●			●			●	
40~67	●	●	●			●			●	

PT系列宽带功率分配器速查表

工作频段 (GHz)	最大路数
0.3~6	8
0.4~3	8
0.45~6	8
0.5~3	16
0.5~6	8
0.6~6	8
0.7~2.7	16
0.8~4.2	16
1~2	16
1~3	16
1.5~6	16
2~4	16
2~6	16

DN系列超宽带单定向耦合器速查表

耦合度 (dB) 工作频段 (GHz)	6	10	13	16	20	30
0.3~18	●	●	●	●	●	●
0.3~26.5	●	●	●	●	●	●
0.3~40		●	●	●	●	●
0.3~50		●	●	●	●	
0.3~67		●	●	●	●	
0.45~6	●	●	●	●	●	●
0.45~8	●	●	●	●	●	●
0.5~6	●	●	●	●	●	●
0.5~18	●	●	●	●	●	●
0.5~26.5	●	●	●	●	●	●
0.5~40	●	●	●	●	●	●
0.5~50		●	●	●	●	
0.5~67		●	●	●	●	
1~18	●	●	●	●	●	●
1~26.5	●	●	●	●	●	●
1~40	●	●	●	●	●	●
1~50		●	●	●	●	●
1~67		●	●	●	●	
2~18	●	●	●	●	●	●
2~26.5	●	●	●	●	●	●
2~40	●	●	●	●	●	●
2~50		●	●	●	●	●
2~67		●	●	●	●	
6~18	●	●	●	●	●	●
6~26.5	●	●	●	●	●	●
6~40	●	●	●	●	●	●
6~50		●	●	●	●	●
6~67		●	●	●	●	●
18~26.5	●	●	●	●	●	●
18~40	●	●	●	●	●	●
18~50		●	●	●	●	●
18~67		●	●	●	●	●
24~44(5G)	●	●	●	●	●	●
26.5~40	●	●	●	●	●	●
26.5~50		●	●	●	●	●
26.5~67		●	●	●	●	●
40~67		●	●	●	●	●

DB系列超宽带双定向耦合器速查表

耦合度 (dB) 工作频段 (GHz)	10	20	30
0.3~18	●	●	●
0.45~6	●	●	●
0.45~8	●	●	●
0.5~18	●	●	●
0.5~26.5	●	●	●
0.5~40	●	●	●
1~18	●	●	●
1~26.5	●	●	●
1~40	●	●	●
1~50	●	●	●
1~67	●		
2~18	●	●	●
2~26.5	●	●	●
2~40	●	●	●
2~50	●	●	●
2~67	●		
6~18	●	●	●
6~26.5	●	●	●
6~40	●	●	●
6~50	●	●	●
6~67	●	●	●
18~26.5	●	●	●
18~40	●	●	●
18~50	●	●	●
18~67	●	●	●
24~44 (5G)	●	●	●
26.5~40	●	●	●
26.5~50	●	●	●
26.5~67	●	●	●
40~67	●	●	●

DH/DHB系列大功率单定向/双定向耦合器速查表

耦合度 (dB) 工作频段 (GHz)	30				40			
	120W	250W	400W	600W	120W	250W	400W	600W
0.3~6	●	●	●	●	●	●	●	●
0.3~8	●	●	●	●	●	●	●	●
0.4~6	●	●	●	●	●	●	●	●
0.4~8	●	●	●	●	●	●	●	●
0.5~6	●	●	●	●	●	●	●	●
0.5~8	●	●	●	●	●	●	●	●
0.5~18	●	●	●		●	●	●	
0.7~6	●	●	●	●	●	●	●	●
0.7~8	●	●	●	●	●	●	●	●
0.7~18	●	●	●		●	●	●	
1~6	●	●	●	●	●	●	●	●
1~8	●	●	●	●	●	●	●	●
1~18	●	●	●		●	●	●	
2~6	●	●	●	●	●	●	●	●
2~8	●	●	●	●	●	●	●	●
2~18	●	●	●		●	●	●	
6~18	●	●	●		●	●	●	

QN/HN系列超宽带90°/180° 3dB电桥速查表

标称相位差(Deg.) 工作频段(GHz)	90	180
0.3~6	●	
0.5~6	●	●
0.5~8	●	●
0.5~9	●	●
0.6~18	●	
1~6	●	●
1~12.4	●	●
1~18	●	●
1~20		●
2~12.4	●	●
2~18	●	●
2~26.5	●	●
6~18	●	●
6~26.5	●	●
6~40	●	●
6~50	●	●
18~26.5	●	●
18~40	●	●
18~50	●	●
24~44 (5G)	●	●
26.5~40	●	●
26.5~50	●	●



## 封装及应用环境说明

### ★ 标准封装同轴接头类型遵循以下原则

#### 最高工作频率GHz

DC~26.5GHz ..... SMA 阴头[F]

DC~40GHz ..... 2.92mm 阴头[F]

DC~50GHz ..... 2.4mm 阴头[F]

DC~67GHz ..... 1.85mm 阴头[F]

大功率耦合器系列 ..... 主线 TYPE N 阴头[F], 耦合端 SMA 阴头[F]

\*如需其它不同封装, 请与销售代表联系

### ★ 应用环境

#### 标准产品满足以下环境要求

工作温度 ..... -55~+85℃

存储温度 ..... -55~+100℃

注:部分功分器标准产品工作温度满足-40~+70℃, 存储温度满足-55~+85℃

\*可提供满足国家军用设备环境试验标准(GJB-150)相关试验要求的工程定制产品, 详细定制要求请与销售代表联系



## PN系列超宽带功率分配器/合成器

路数	工作频段 (GHz)	型号	公共端驻波比 Max.(:1)	分支端驻波比 Max.(:1)	插入损耗* Max.(dB)	幅度平衡 Max.(dB)	相位平衡 Max.(Deg.)	隔离度 Min.(dB)	外形尺寸 LxWxH (mm)
2	0.3~18	P02N003180	1.5	1.5	2.4	±0.3	±4	17	216.5×25.8×12.7
	0.3~26.5	P02N003265	1.6	1.6	3.2	±0.4	±5	16	216.5×25.8×12.7
	0.3~40	P02N003400	1.6	1.6	4.4	±0.4	±6	16	216.5×25.8×12.7
	0.3~50	P02N003500	1.6	1.6	5.8	±0.5	±7	16	216.5×25.8×12.7
	0.3~67	P02N003670	1.7	1.7	7.9	±0.6	±9	16	216.5×25.8×12.7
	0.45~6	P02N00450600	1.4	1.4	0.9	±0.2	±3	18	180×25.7×12.7
	0.45~8	P02N00450800	1.4	1.4	1.0	±0.2	±3	18	180×25.7×12.7
	0.5~18	P02N005180	1.4	1.4	1.7	±0.3	±3	18	149.2×26.4×12.7
	0.5~20	P02N005200	1.5	1.5	1.9	±0.3	±4	17	149.2×26.4×12.7
	0.5~26.5	P02N005265	1.5	1.5	2.4	±0.4	±4	17	149.2×26.4×12.7
	0.5~40	P02N005400	1.6	1.6	3.5	±0.4	±5	16	149.2×26.4×12.7
	0.5~50	P02N005500	1.7	1.6	3.9	±0.4	±6	16	149.2×26.4×12.7
	0.5~67	P02N005670	1.7	1.7	5.4	±0.6	±8	16	149.2×26.4×12.7
	1~18	P02N010180	1.4	1.4	1.2	±0.2	±3	18	95.3×25.9×12.7
	1~26.5	P02N010265	1.5	1.5	1.6	±0.3	±4	18	95.3×25.9×12.7
	1~40	P02N010400	1.5	1.5	2.4	±0.4	±5	18	95.3×25.9×12.7
	1~50	P02N010500	1.6	1.6	3.0	±0.4	±6	16	95.3×25.9×12.7
	1~67	P02N010670	1.7	1.7	3.7	±0.6	±8	16	95.3×25.9×12.7
	2~18	P02N020180	1.4	1.4	1.0	±0.2	±3	18	45.5×26.4×12.7
	2~26.5	P02N020265	1.5	1.5	1.2	±0.3	±3	18	45.5×26.4×12.7
	2~40	P02N020400	1.6	1.6	1.8	±0.3	±4	18	45.5×26.4×12.7
	2~50	P02N020500	1.7	1.7	2.4	±0.4	±5	18	45.5×26.4×12.7
	2~67	P02N020670	1.8	1.8	3.1	±0.6	±7	16	45.5×26.4×12.7
	6~18	P02N060180	1.4	1.4	0.7	±0.2	±3	18	29.2×26.9×12.7
	6~26.5	P02N060265	1.5	1.5	1.1	±0.3	±3	18	29.2×26.9×12.7
	6~40	P02N060400	1.6	1.6	1.5	±0.3	±4	18	29.2×26.9×12.7
	6~50	P02N060500	1.7	1.7	1.7	±0.4	±5	16	29.2×26.9×12.7
	6~67	P02N060670	1.8	1.8	2.4	±0.6	±7	16	29.2×26.9×12.7
	18~26.5	P02N180265	1.5	1.5	1.0	±0.2	±3	18	21.6×26.9×12.7
	18~40	P02N180400	1.6	1.6	1.2	±0.3	±4	18	21.6×26.9×12.7
	18~50	P02N180500	1.7	1.6	1.5	±0.4	±5	18	21.6×26.9×12.7
	18~67	P02N180670	1.8	1.8	2.1	±0.6	±7	18	21.6×26.9×12.7
	24~44(5G)	P02N240440	1.6	1.6	1.3	±0.4	±4	20	15.2×25.4×10
26.5~40	P02N265400	1.6	1.6	1.2	±0.3	±3	20	15.2×25.4×10	
26.5~50	P02N265500	1.6	1.6	1.4	±0.4	±4	18	15.2×25.4×10	
26.5~67	P02N265670	1.8	1.8	2.1	±0.6	±7	18	21.6×26.9×12.7	
40~67	P02N400670	1.8	1.8	2.1	±0.6	±7	18	21.6×26.9×12.7	
3	0.3~18	P03N003180	1.5	1.5	2.6	±0.5	±6	17	284.5×40.6×12.7
	0.3~26.5	P03N003265	1.5	1.5	3.4	±0.6	±7	16	284.5×40.6×12.7
	0.3~40	P03N003400	1.6	1.6	4.5	±0.7	±9	16	284.5×40.6×12.7
	0.45~6	P03N00450600	1.4	1.4	1.1	±0.4	±4	18	254×40.6×12.7
	0.45~8	P03N00450800	1.4	1.4	1.4	±0.4	±5	18	254×40.6×12.7

\*不包含理论分配损耗

## PN系列超宽带功率分配器/合成器

路数	工作频段 (GHz)	型号	公共端驻波比 Max.(:1)	分支端驻波比 Max.(:1)	插入损耗* Max.(dB)	幅度平衡 Max.(dB)	相位平衡 Max.(Deg.)	隔离度 Min.(dB)	外形尺寸 LxWxH (mm)
3	0.5~18	P03N005180	1.4	1.4	2.1	±0.5	±5	18	203.2×38.8×12.7
	0.5~20	P03N005200	1.4	1.4	2.4	±0.5	±6	18	203.2×38.8×12.7
	0.5~26.5	P03N005265	1.5	1.5	3.0	±0.6	±7	16	203.2×38.8×12.7
	0.5~40	P03N005400	1.6	1.6	4.3	±0.7	±9	16	203.2×38.8×12.7
	1~18	P03N010180	1.5	1.5	1.5	±0.5	±5	18	145×40.8×12.7
	1~26.5	P03N010265	1.6	1.6	2.2	±0.6	±7	16	145×40.8×12.7
	1~40	P03N010400	1.7	1.7	3.2	±0.7	±9	16	145×40.8×12.7
	2~18	P03N020180	1.5	1.5	1.4	±0.5	±5	18	90×40.8×12.7
	2~26.5	P03N020265	1.6	1.6	2.2	±0.6	±7	16	90×40.8×12.7
	2~40	P03N020400	1.7	1.7	2.9	±0.7	±9	16	90×40.8×12.7
	6~18	P03N060180	1.5	1.5	1.2	±0.5	±5	18	38.1×43.2×12.7
	6~26.5	P03N060265	1.6	1.6	1.4	±0.6	±7	17	38.1×43.2×12.7
	6~40	P03N060400	1.7	1.7	1.8	±0.7	±9	16	38.1×43.2×12.7
	6~50	P03N060500	1.8	1.8	2.4	±0.8	±11	16	38.1×43.2×12.7
	6~67	P03N060670	1.9	1.9	3.1	±1.0	±13	16	38.1×43.2×12.7
	18~26.5	P03N180265	1.6	1.6	1.4	±0.5	±6	18	38.1×43.2×12.7
	18~40	P03N180400	1.7	1.7	1.8	±0.7	±8	18	38.1×43.2×12.7
	18~50	P03N180500	1.8	1.8	2.4	±0.8	±11	18	38.1×43.2×12.7
	18~67	P03N180670	1.9	1.9	3.1	±1.0	±13	16	38.1×43.2×12.7
	24~44(5G)	P03N240440	1.7	1.7	2.0	±0.7	±9	20	38.1×43.2×12.7
	26.5~40	P03N265400	1.7	1.7	1.8	±0.6	±8	20	38.1×43.2×12.7
	26.5~50	P03N265500	1.8	1.8	2.4	±0.7	±10	18	38.1×43.2×12.7
	26.5~67	P03N265670	1.9	1.9	3.1	±0.9	±13	16	38.1×43.2×12.7
	40~67	P03N400670	1.9	1.9	3.1	±0.9	±13	16	38.1×43.2×12.7
4	0.3~18	P04N003180	1.5	1.5	5.9	±0.4	±5	16	254×56.5×12.7
	0.3~26.5	P04N003265	1.6	1.6	8.3	±0.5	±6	16	254×56.5×12.7
	0.3~40	P04N003400	1.6	1.6	10	±0.5	±7	15	254×56.5×12.7
	0.45~6	P04N00450600	1.4	1.4	1.9	±0.3	±3	18	200×56.5×12.7
	0.45~8	P04N00450800	1.4	1.4	2.3	±0.3	±3	18	200×56.5×12.7
	0.5~18	P04N005180	1.5	1.5	4.0	±0.4	±5	18	158.5×51.6×12.7
	0.5~20	P04N005200	1.5	1.5	4.4	±0.4	±5	18	158.5×51.6×12.7
	0.5~26.5	P04N005265	1.6	1.6	5.2	±0.4	±6	16	158.5×56.5×12.7
	0.5~40	P04N005400	1.6	1.6	7.5	±0.5	±7	15	158.5×56.5×12.7
	1~18	P04N010180	1.5	1.5	2.5	±0.3	±4	17	110.5×73.7×12.7
	1~26.5	P04N010265	1.6	1.6	3.2	±0.4	±6	16	110.5×73.7×12.7
	1~40	P04N010400	1.6	1.6	5.2	±0.5	±7	16	108×56.5×12.7
	1~50	P04N010500	1.7	1.7	5.9	±0.7	±9	16	108×56.5×12.7
	1~67	P04N010670	1.8	1.8	9.3	±0.8	±11	16	108×56.5×12.7
	2~18	P04N020180	1.5	1.5	1.9	±0.3	±4	18	79.2×51.6×12.7
	2~26.5	P04N020265	1.6	1.5	2.7	±0.4	±5	17	79.2×51.6×12.7
	2~40	P04N020400	1.6	1.6	3.8	±0.5	±6	16	79.2×51.6×12.7
	2~50	P04N020500	1.7	1.7	4.5	±0.6	±8	16	79.2×51.6×12.7
	2~67	P04N020670	1.8	1.8	6.8	±0.8	±10	16	79.2×51.6×12.7

\*不包含理论分配损耗

## PN系列超宽带功率分配器/合成器

路数	工作频段 (GHz)	型号	公共端驻波比 Max.(:1)	分支端驻波比 Max.(:1)	插入损耗* Max.(dB)	幅度平衡 Max.(dB)	相位平衡 Max.(Deg.)	隔离度 Min.(dB)	外形尺寸 LxWxH (mm)
4	6~18	P04N060180	1.5	1.5	1.2	±0.3	±4	18	38.1×51.7×12.7
	6~26.5	P04N060265	1.6	1.6	1.8	±0.4	±4	16	38.1×51.7×12.7
	6~40	P04N060400	1.6	1.6	2.7	±0.5	±6	16	38.1×51.7×12.7
	6~50	P04N060500	1.7	1.7	3.3	±0.6	±7	16	38.1×51.7×12.7
	6~67	P04N060670	1.8	1.8	4.1	±0.8	±10	16	38.1×51.7×12.7
	18~26.5	P04N180265	1.5	1.5	1.5	±0.3	±4	18	25.4×51.7×12.7
	18~40	P04N180400	1.6	1.6	2.2	±0.5	±5	18	25.4×51.7×12.7
	18~50	P04N180500	1.7	1.7	2.6	±0.6	±7	16	25.4×51.7×12.7
	18~67	P04N180670	1.8	1.8	3.6	±0.8	±10	16	25.4×51.7×12.7
	24~44(5G)	P04N240440	1.7	1.7	2.4	±0.5	±6	20	25.4×51.7×12.7
	26.5~40	P04N265400	1.6	1.6	2.2	±0.4	±5	20	25.4×51.7×12.7
	26.5~50	P04N265500	1.7	1.7	2.6	±0.5	±7	18	25.4×51.7×12.7
	26.5~67	P04N265670	1.8	1.8	3.6	±0.7	±9	16	25.4×51.7×12.7
	40~67	P04N400670	1.8	1.8	3.6	±0.7	±9	18	25.4×51.7×12.7
5	0.5~18	P05N005180	1.5	1.5	4.5	±0.8	±8	16	250×72.7×12.7
	1~18	P05N010180	1.6	1.6	3.2	±0.7	±8	16	145×64.6×12.7
	2~18	P05N020180	1.6	1.6	1.6	±0.7	±8	16	145×64.6×12.7
	2~26.5	P05N020265	1.6	1.6	2.2	±0.9	±10	16	145×64.6×12.7
	6~18	P05N060180	1.6	1.6	1.4	±0.6	±7	16	68.6×93×12.7
	6~26.5	P05N060265	1.6	1.6	1.8	±0.8	±8	16	68.6×93×12.7
	6~40	P05N060400	1.7	1.7	2.5	±1.0	±10	15	68.6×93×12.7
	18~26.5	P05N180265	1.6	1.6	1.8	±0.7	±8	16	68.6×93×12.7
	18~40	P05N180400	1.7	1.7	2.5	±1.0	±10	16	68.6×93×12.7
	24~44(5G)	P05N240440	1.8	1.8	2.8	±1.0	±10	16	68.6×93×12.7
26.5~40	P05N265400	1.7	1.7	2.5	±0.8	±10	16	68.6×93×12.7	
6	0.3~18	P06N003180	1.6	1.6	6.3	±0.7	±8	16	299.7×78×12.7
	0.3~40	P06N003400	1.7	1.7	12.5	±1.0	±15	15	299.7×78×12.7
	0.45~6	P06N00450600	1.5	1.5	2.2	±0.5	±5	17	265×82.3×12.7
	0.45~8	P06N00450800	1.5	1.5	2.6	±0.5	±6	17	265×82.3×12.7
	0.5~18	P06N005180	1.6	1.6	4.5	±0.7	±8	17	265×82.3×12.7
	0.5~20	P06N005200	1.6	1.6	4.9	±0.7	±8	17	265×82.3×12.7
	0.5~26.5	P06N005265	1.6	1.6	6.0	±0.8	±9	16	265×82.3×12.7
	1~18	P06N010180	1.5	1.5	3.2	±0.6	±7	18	121.9×77.7×12.7
	1~26.5	P06N010265	1.6	1.6	4.3	±0.7	±9	16	121.9×77.7×12.7
	1~40	P06N010400	1.7	1.7	8.0	±0.9	±14	15	121.9×77.7×12.7
	2~18	P06N020180	1.5	1.5	2.4	±0.7	±6	18	98×82.5×12.7
	2~26.5	P06N020265	1.6	1.6	3.0	±0.8	±8	17	98×82.5×12.7
	2~40	P06N020400	1.7	1.7	5.5	±0.9	±12	16	98×82.5×12.7
	6~18	P06N060180	1.5	1.6	1.4	±0.5	±6	18	45.7×88.9×12.7
	6~26.5	P06N060265	1.6	1.6	1.8	±0.6	±8	16	45.7×88.9×12.7
	6~40	P06N060400	1.7	1.7	2.8	±0.9	±11	15	45.7×88.9×12.7

\*不包含理论分配损耗

## PN系列超宽带功率分配器/合成器

路数	工作频段 (GHz)	型号	公共端驻波比 Max.(:1)	分支端驻波比 Max.(:1)	插入损耗* Max.(dB)	幅度平衡 Max.(dB)	相位平衡 Max.(Deg.)	隔离度 Min.(dB)	外形尺寸 LxWxH (mm)
6	18~26.5	P06N180265	1.5	1.6	1.8	±0.5	±7	17	45.7×88.9×12.7
	18~40	P06N180400	1.7	1.7	2.8	±0.7	±10	17	45.7×88.9×12.7
	24~44(5G)	P06N240440	1.7	1.7	3.4	±0.8	±10	18	45.7×88.9×12.7
	26.5~40	P06N265400	1.7	1.7	2.8	±0.8	±9	18	45.7×88.9×12.7
8	0.3~18	P08N003180	1.5	1.5	8.3	±0.5	±6	16	270×117.9×12.7
	0.3~26.5	P08N003265	1.7	1.7	11.4	±0.6	±9	15	270×117.9×12.7
	0.3~40	P08N003400	1.7	1.7	17.9	±0.8	±12	15	270×117.9×12.7
	0.45~6	P08N00450600	1.5	1.5	3.2	±0.4	±5	16	218.5×117.9×12.7
	0.45~8	P08N00450800	1.5	1.5	3.9	±0.4	±5	16	218.5×117.9×12.7
	0.5~18	P08N005180	1.6	1.5	6.2	±0.4	±5	16	161.9×103.4×12.7
	0.5~20	P08N005200	1.6	1.5	6.7	±0.4	±6	16	161.9×103.4×12.7
	0.5~26.5	P08N005265	1.6	1.6	8.0	±0.5	±7	15	161.9×117.9×12.7
	0.5~40	P08N005400	1.8	1.8	11.0	±0.6	±8	15	161.9×117.9×12.7
	1~18	P08N010180	1.6	1.6	4.2	±0.4	±5	16	110×120×12.7
	1~26.5	P08N010265	1.6	1.6	5.4	±0.5	±7	16	110×120×12.7
	1~40	P08N010400	1.7	1.7	7.3	±0.8	±11	15	110×120×12.7
	1~50	P08N010500	1.8	1.8	10.5	±0.9	±12	15	110×120×12.7
	1~67	P08N010670	1.9	1.9	14.7	±1.1	±14	15	110×120×12.7
	2~18	P08N020180	1.5	1.5	3.2	±0.4	±5	16	88.9×103.5×12.7
	2~26.5	P08N020265	1.6	1.5	3.9	±0.5	±6	16	88.9×117.9×12.7
	2~40	P08N020400	1.6	1.7	5.9	±0.7	±10	15	88.9×117.9×12.7
	2~50	P08N020500	1.8	1.8	7.2	±0.8	±12	15	88.9×117.9×12.7
	2~67	P08N020670	1.9	1.9	9.8	±1.1	±13	15	88.9×117.9×12.7
	6~18	P08N060180	1.6	1.5	2.6	±0.4	±5	17	49×104×12.7
	6~26.5	P08N060265	1.6	1.6	2.9	±0.5	±6	16	49×104×12.7
	6~40	P08N060400	1.7	1.7	3.8	±0.8	±10	15	49×104×12.7
	6~50	P08N060500	1.8	1.8	4.8	±0.8	±12	15	49×104×12.7
	6~67	P08N060670	1.9	1.9	6.2	±1.0	±13	15	49×104×12.7
	18~26.5	P08N180265	1.6	1.6	2.2	±0.5	±6	18	30.1×106×12.7
	18~40	P08N180400	1.7	1.7	3.2	±0.6	±8	18	30.1×106×12.7
	18~50	P08N180500	1.8	1.8	3.8	±0.7	±10	16	30×103.7×12.7
	18~67	P08N180670	1.9	1.9	4.9	±0.9	±12	16	30×103.7×12.7
	24~44(5G)	P08N240440	1.7	1.7	3.5	±0.6	±8	18	30×103.7×12.7
	26.5~40	P08N265400	1.6	1.6	3	±0.5	±8	18	30×103.7×12.7
	26.5~50	P08N265500	1.8	1.8	3.8	±0.7	±10	16	30×103.7×12.7
	26.5~67	P08N265670	1.9	1.9	4.9	±0.9	±12	16	30×103.7×12.7
40~67	P08N400670	1.9	1.9	4.9	±0.8	±11	16	30×103.7×12.7	
10	0.5~18	P10N005180	1.6	1.6	5.6	±0.9	±11	16	250×129.3×12.7
	1~18	P10N010180	1.6	1.6	3.6	±0.9	±10	16	145×129.3×12.7
	2~18	P10N020180	1.6	1.6	2.8	±0.8	±9	16	157×129.3×12.7
	6~18	P10N060180	1.7	1.7	2.5	±0.8	±8	16	77×193×12.7
	6~26.5	P10N060265	1.7	1.7	3.4	±0.9	±10	15	77×193×12.7
	6~40	P10N060400	1.8	1.8	4.9	±1.2	±14	15	77×193×12.7

\*不包含理论分配损耗

## PN系列超宽带功率分配器/合成器

路数	工作频段 (GHz)	型号	公共端驻波比 Max.(:1)	分支端驻波比 Max.(:1)	插入损耗* Max.(dB)	幅度平衡 Max.(dB)	相位平衡 Max.(Deg.)	隔离度 Min.(dB)	外形尺寸 LxWxH (mm)
10	18~26.5	P10N180265	1.7	1.7	3.4	±0.9	±10	16	77×193×12.7
	18~40	P10N180400	1.8	1.8	4.9	±1.2	±14	16	77×193×12.7
	24~44(5G)	P10N240440	1.8	1.8	5.4	±1.2	±14	16	77×193×12.7
	26.5~40	P10N265400	1.8	1.8	4.9	±1.2	±13	16	77×193×12.7
12	0.3~18	P12N003180	1.6	1.6	10	±0.8	±12	16	312.4×156×12.7
	0.45~6	P12N00450600	1.6	1.6	3.5	±0.6	±7	15	275×165.7×12.7
	0.45~8	P12N00450800	1.6	1.6	4.0	±0.6	±8	15	275×165.7×12.7
	0.5~18	P12N005180	1.6	1.6	6.5	±0.7	±12	16	275×165.7×12.7
	1~18	P12N010180	1.6	1.6	4.5	±0.8	±10	16	150*165.7*12.7
	2~18	P12N020180	1.5	1.5	3.4	±0.8	±8	16	110×165.9×12.7
	6~18	P12N060180	1.5	1.6	2.2	±0.6	±8	16	56×180.5×12.7
	6~26.5	P12N060265	1.6	1.6	3.4	±0.8	±12	16	56×180.5×12.7
	6~40	P12N060400	1.7	1.7	6.0	±1.0	±15	15	56×180.5×12.7
	18~26.5	P12N180265	1.6	1.6	3.4	±0.8	±12	17	56×180.5×12.7
	18~40	P12N180400	1.7	1.7	6.0	±1.0	±15	16	56×180.5×12.7
	24~44(5G)	P12N240440	1.7	1.7	6.7	±1.0	±15	16	56×180.5×12.7
26.5~40	P12N265400	1.7	1.7	6.0	±1.0	±14	16	56×180.5×12.7	
16	0.45~6	P16N00450600	1.6	1.5	3.8	±0.5	±6	16	210×240.9×13.7
	0.45~8	P16N00450800	1.6	1.5	4.8	±0.5	±6	16	210×240.9×13.7
	0.5~18	P16N005180	1.6	1.5	8.3	±0.6	±10	16	210×240.9×13.7
	1~18	P16N010180	1.6	1.6	7.0	±0.6	±8	16	140×238×12.7
	2~18	P16N020180	1.6	1.6	4.4	±0.6	±7	16	92×210×12.7
	6~18	P16N060180	1.6	1.5	3.5	±0.4	±6	17	44.5×210×12.7
	6~26.5	P16N060265	1.7	1.7	4.4	±0.7	±8	16	44.5×210×12.7
	6~40	P16N060400	1.7	1.7	5.5	±0.8	±12	15	44.5×210×12.7
	18~26.5	P16N180265	1.6	1.6	3.8	±0.5	±6	16	36×210×12.7
	18~40	P16N180400	1.8	1.7	4.7	±0.7	±10	16	36×210×12.7
	18~50	P16N180500	1.8	1.8	5.9	±0.9	±12	16	36×210×12.7
	18~67	P16N180670	1.9	1.9	8.3	±1.1	±14	16	36×210×12.7
	24~44(5G)	P16N240440	1.8	1.8	5.4	±0.8	±10	16	36×210×12.7
	26.5~40	P16N265400	1.8	1.7	4.7	±0.7	±12	18	36×210×12.7
	26.5~50	P16N265500	1.8	1.8	5.9	±0.9	±12	16	36×210×12.7
	26.5~67	P16N265670	1.9	1.9	8.3	±1.1	±14	16	36×210×12.7
40~67	P16N400670	1.9	1.9	8.3	±1.1	±14	16	36×210×12.7	
32	2~18	P32N020180	1.7	1.6	5.7	±0.8	±9	16	190×210×14
	6~18	P32N060180	1.6	1.6	4.2	±0.6	±8	16	110×210×14
	6~26.5	P32N060265	1.7	1.7	5.6	±0.8	±11	16	110×210×14
	6~40	P32N060400	1.8	1.8	7.5	±1.1	±14	15	110×210×14
	18~26.5	P32N180265	1.7	1.7	4.5	±0.7	±10	16	110×210×14
	18~40	P32N180400	1.8	1.8	6.0	±0.9	±12	16	110×210×14
	24~44(5G)	P32N240440	1.8	1.8	6.5	±1.1	±13	16	110×210×14
26.5~40	P32N265400	1.8	1.8	6.0	±0.9	±12	16	110×210×14	

\*不包含理论分配损耗

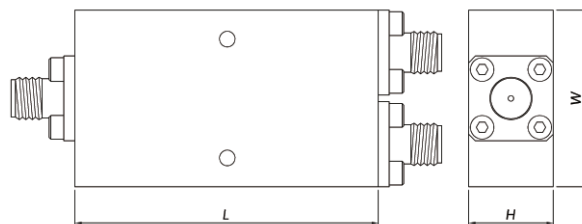
## PT系列宽带功率分配器

路数	工作频段 (GHz)	型号	公共端驻波比 Max.( :1)	分支端驻波比 Max.( :1)	插入损耗* Max.(dB)	幅度平衡 Max.(dB)	相位平衡 Max.(Deg.)	隔离度 Min.(dB)	外形尺寸 LxWxH (mm)
2	0.3~6	P02T00300600	1.4	1.4	1.1	±0.3	±3	18	94×30.8×12.7
	0.45~6	P02T00450600	1.4	1.3	0.9	±0.2	±3	18	71.1×30.5×12.7
	0.5~3	P02T00500300	1.3	1.2	0.6	±0.2	±3	20	58.4×30×12.7
	0.5~6	P02T00500600	1.4	1.3	0.9	±0.2	±3	18	71.1×30.5×12.7
	1~2	P02T01000200	1.25	1.2	0.35	±0.15	±1.5	20	35×30.5×12.7
	1~3	P02T01000300	1.3	1.2	0.5	±0.15	±1.5	20	35×30.5×12.7
	2~4	P02T02000400	1.25	1.2	0.35	±0.2	±2	20	28×28×12.7
	2~6	P02T02000600	1.3	1.25	0.5	±0.2	±3	20	35×30.5×12.7
3	0.6~6	P03T00600600	1.4	1.4	1.1	±0.4	±4	18	96.5×43.8×12.7
4	0.4~3	P04T00400300	1.4	1.3	1.2	±0.3	±3	20	130×55.9×10
	0.45~6	P04T00450600	1.4	1.3	1.6	±0.3	±4	18	106×55.9×12.7
	0.5~3	P04T00500300	1.3	1.3	0.8	±0.3	±3	20	96.9×57.7×12.7
	0.5~6	P04T00500600	1.4	1.3	1.6	±0.3	±4	18	106×55.9×12.7
	0.7~2.7	P04T00700270	1.3	1.3	0.6	±0.3	±3	20	96.9×57.7×12.7
	0.8~4.2	P04T00800420	1.4	1.3	1.2	±0.3	±4	18	59×57×12.7
	1~2	P04T01000200	1.25	1.2	0.5	±0.2	±2	20	54×55.9×12.7
	1.5~6	P04T01500600	1.4	1.3	0.8	±0.3	±4	18	54×55.9×12.7
	2~4	P04T02000400	1.25	1.2	0.5	±0.2	±2	20	54×55.9×12.7
	2~6	P04T02000600	1.4	1.3	0.8	±0.3	±4	18	54×55.9×12.7
6	0.6~6	P06T00600600	1.4	1.4	2	±0.5	±5	18	128×77×12.7
8	0.45~6	P08T00450600	1.5	1.4	2.2	±0.5	±7	16	155×107.8×12.7
	0.5~6	P08T00500600	1.45	1.35	1.8	±0.3	±5	16	140×107.8×12
	1~2	P08T01000200	1.3	1.2	0.8	±0.3	±3	20	63.5×107.8×12.7
	2~4	P08T02000400	1.3	1.2	0.8	±0.3	±3	20	63.5×107.8×12.7

\*不包含理论分配损耗

### 功率分配器/合成器理论损耗

路数	理论损耗(dB)
2	3.0
3	4.8
4	6.0
5	7.0
6	7.8
8	9.0
10	10
12	10.8
16	12
32	15



功率分配器/合成器外形尺寸示意图

## DN系列超宽带单定向耦合器

工作频段 (GHz)	型号	标称耦合度 (dB)	主线驻波比 Max.(:1)	耦合端驻波比 Max.(:1)	插入损耗* Max.(dB)	耦合度 Max.(dB)	平坦度 Max.(dB)	方向性 Min.(dB)	外形尺寸 LxWxH (mm)
0.3~18	D06N003180	6	1.4	1.4	3.0	6±0.8	±1.1	13	178×15.4×23
	D10N003180	10	1.4	1.4	2.0	10±0.8	±1.1	13	178×15.4×23
	D13N003180	13	1.4	1.4	1.8	13±0.8	±1.1	13	178×15.4×23
	D16N003180	16	1.4	1.4	1.7	16±0.8	±1.1	13	178×15.4×23
	D20N003180	20	1.4	1.4	1.6	20±0.8	±1.1	13	178×15.4×23
	D30N003180	30	1.4	1.4	1.6	30±0.9	±1.2	13	178×15.4×23
0.3~26.5	D06N003265	6	1.5	1.5	3.5	6±0.9	±1.3	11	178×15.4×23
	D10N003265	10	1.5	1.5	2.7	10±0.9	±1.3	11	178×15.4×23
	D13N003265	13	1.5	1.5	2.4	13±0.9	±1.3	11	178×15.4×23
	D16N003265	16	1.5	1.5	2.2	16±0.9	±1.3	11	178×15.4×23
	D20N003265	20	1.5	1.5	2.1	20±0.9	±1.3	11	178×15.4×23
	D30N003265	30	1.5	1.5	2.1	30±0.9	±1.4	11	178×15.4×23
0.3~40	D10N003400	10	1.7	1.7	4.3	10±1.2	±1.6	10	178×15.4×23
	D13N003400	13	1.7	1.7	4.1	13±1.2	±1.6	10	178×15.4×23
	D16N003400	16	1.7	1.7	4.0	16±1.2	±1.6	10	178×15.4×23
	D20N003400	20	1.7	1.7	3.9	20±1.2	±1.6	10	178×15.4×23
	D30N003400	30	1.7	1.7	3.9	30±1.2	±1.6	10	178×15.4×23
0.3~50	D10N003500	10	1.8	1.8	5.2	10±1.4	±1.7	8	178×15.4×23
	D13N003500	13	1.8	1.8	5.0	13±1.4	±1.7	8	178×15.4×23
	D16N003500	16	1.8	1.8	4.9	16±1.4	±1.7	8	178×15.4×23
	D20N003500	20	1.8	1.8	4.8	20±1.4	±1.7	8	178×15.4×23
0.3~67	D10N003670	10	1.9	1.9	6.5	10±1.7	±1.8	7	178×15.4×23
	D13N003670	13	1.9	1.9	6.3	13±1.7	±1.8	7	178×15.4×23
	D16N003670	16	1.9	1.9	6.2	16±1.7	±1.8	7	178×15.4×23
	D20N003670	20	1.9	1.9	6.1	20±1.7	±1.8	7	178×15.4×23
0.45~6	D06N00450600	6	1.3	1.3	2.0	6±0.7	±0.9	18	139.7×12.7×17.8
	D10N00450600	10	1.3	1.3	1.2	10±0.6	±0.8	18	139.7×12.7×17.8
	D13N00450600	13	1.3	1.3	1.0	13±0.6	±0.8	18	139.7×12.7×17.8
	D16N00450600	16	1.3	1.3	0.9	16±0.6	±0.8	18	139.7×12.7×17.8
	D20N00450600	20	1.3	1.3	0.8	20±0.6	±0.8	18	139.7×12.7×17.8
	D30N00450600	30	1.3	1.3	0.8	30±0.7	±0.9	18	139.7×12.7×17.8
0.45~8	D06N00450800	6	1.3	1.3	2.2	6±0.7	±0.9	18	139.7×12.7×17.8
	D10N00450800	10	1.3	1.3	1.3	10±0.6	±0.8	18	139.7×12.7×17.8
	D13N00450800	13	1.3	1.3	1.1	13±0.6	±0.8	18	139.7×12.7×17.8
	D16N00450800	16	1.3	1.3	1.0	16±0.6	±0.8	18	139.7×12.7×17.8
	D20N00450800	20	1.3	1.3	0.9	20±0.6	±0.8	18	139.7×12.7×17.8
	D30N00450800	30	1.3	1.3	0.9	30±0.7	±0.9	18	139.7×12.7×17.8
0.5~6	D06N005060	6	1.3	1.3	2.0	6±0.6	±0.8	18	111.8×12.7×17.8
	D10N005060	10	1.2	1.2	1.1	10±0.5	±0.7	18	111.8×12.7×17.8
	D13N005060	13	1.2	1.2	0.9	13±0.5	±0.7	18	111.8×12.7×17.8
	D16N005060	16	1.2	1.2	0.8	16±0.5	±0.8	18	111.8×12.7×17.8
	D20N005060	20	1.2	1.2	0.5	20±0.6	±0.7	18	111.8×12.7×17.8
	D30N005060	30	1.2	1.2	0.5	30±0.7	±0.8	18	111.8×12.7×17.8

\*包含理论耦合损耗



## DN系列超宽带单定向耦合器

工作频段 (GHz)	型号	标称耦合度 (dB)	主线驻波比 Max.(:1)	耦合端驻波比 Max.(:1)	插入损耗* Max.(dB)	耦合度 Max.(dB)	平坦度 Max.(dB)	方向性 Min.(dB)	外形尺寸 LxWxH (mm)
0.5~18	D06N005180	6	1.5	1.5	2.6	6±0.8	±1.0	14	111.8×12.7×17.8
	D10N005180	10	1.4	1.4	1.8	10±0.7	±0.8	15	111.8×12.7×17.8
	D13N005180	13	1.4	1.4	1.6	13±0.7	±0.8	15	111.8×12.7×17.8
	D16N005180	16	1.4	1.4	1.4	16±0.6	±0.8	15	111.8×12.7×17.8
	D20N005180	20	1.4	1.4	1.0	20±0.6	±0.7	15	111.8×12.7×17.8
	D30N005180	30	1.4	1.4	1.0	30±0.8	±1.0	14	111.8×12.7×17.8
0.5~26.5	D06N005265	6	1.6	1.6	2.9	6±0.8	±1.2	13	111.8×12.7×17.8
	D10N005265	10	1.5	1.5	2.2	10±0.7	±1.0	14	111.8×12.7×17.8
	D13N005265	13	1.5	1.5	2.0	13±0.7	±1.0	14	111.8×12.7×17.8
	D16N005265	16	1.5	1.5	1.7	16±0.6	±1.0	14	111.8×12.7×17.8
	D20N005265	20	1.5	1.5	1.4	20±0.7	±1.0	14	111.8×12.7×17.8
	D30N005265	30	1.5	1.6	1.3	30±1.0	±1.3	13	111.8×12.7×17.8
0.5~40	D06N005400	6	1.7	1.7	3.9	6±1.0	±1.5	10	111.8×12.7×17.8
	D10N005400	10	1.7	1.7	2.9	10±1.0	±1.5	10	111.8×12.7×17.8
	D13N005400	13	1.7	1.7	2.7	13±1.0	±1.5	10	111.8×12.7×17.8
	D16N005400	16	1.7	1.7	2.6	16±1.0	±1.5	10	111.8×12.7×17.8
	D20N005400	20	1.7	1.7	2.6	20±1.0	±1.5	10	111.8×12.7×17.8
	D30N005400	30	1.7	1.7	2.6	30±1.2	±1.5	10	111.8×12.7×17.8
0.5~50	D10N005500	10	1.8	1.8	3.6	10±1.2	±1.6	8	111.8×12.7×17.8
	D13N005500	13	1.8	1.8	3.4	13±1.2	±1.6	8	111.8×12.7×17.8
	D16N005500	16	1.8	1.8	3.3	13±1.2	±1.6	8	111.8×12.7×17.8
	D20N005500	20	1.8	1.8	3.3	20±1.2	±1.6	8	111.8×12.7×17.8
0.5~67	D10N005670	10	1.9	1.9	4.5	10±1.6	±1.7	7	111.8×12.7×17.8
	D13N005670	13	1.9	1.9	4.3	13±1.6	±1.7	7	111.8×12.7×17.8
	D16N005670	16	1.9	1.9	4.2	16±1.6	±1.7	7	111.8×12.7×17.8
	D20N005670	20	1.9	1.9	4.1	20±1.6	±1.7	7	111.8×12.7×17.8
1~18	D06N010180	6	1.5	1.5	2.5	6±0.6	±0.7	15	88.9×12.7×17.8
	D10N010180	10	1.4	1.5	1.4	10±0.5	±0.5	15	88.9×12.7×17.8
	D13N010180	13	1.4	1.5	1.6	13±0.5	±0.6	14	88.9×12.7×17.8
	D16N010180	16	1.4	1.4	1.1	16±0.5	±0.6	15	88.9×12.7×17.8
	D20N010180	20	1.4	1.4	1.0	20±0.5	±0.5	15	88.9×12.7×17.8
	D30N010180	30	1.4	1.4	0.8	30±0.7	±0.7	14	88.9×12.7×17.8
1~26.5	D06N010265	6	1.6	1.6	2.8	6±0.7	±0.8	13	88.9×12.7×17.8
	D10N010265	10	1.6	1.6	1.8	10±0.5	±0.8	13	88.9×12.7×17.8
	D13N010265	13	1.5	1.6	2.0	13±0.7	±0.7	13	88.9×12.7×17.8
	D16N010265	16	1.5	1.5	1.5	16±0.7	±0.7	13	88.9×12.7×17.8
	D20N010265	20	1.5	1.5	1.2	20±0.7	±0.7	14	88.9×12.7×17.8
	D30N010265	30	1.5	1.5	1.1	30±0.8	±0.8	13	88.9×12.7×17.8
1~40	D06N010400	6	1.7	1.7	3.8	6±0.8	±1.0	10	88.9×12.7×17.8
	D10N010400	10	1.7	1.7	3.0	10±0.6	±0.9	10	88.9×12.7×17.8
	D13N010400	13	1.7	1.7	2.5	13±0.8	±1.0	10	88.9×12.7×17.8
	D16N010400	16	1.7	1.7	2.1	16±0.8	±1.0	10	88.9×12.7×17.8
	D20N010400	20	1.7	1.7	1.9	20±0.7	±1.0	10	88.9×12.7×17.8
	D30N010400	30	1.7	1.7	1.9	30±1.1	±1.1	9	88.9×12.7×17.8

\*包含理论耦合损耗

## DN系列超宽带单定向耦合器

工作频段 (GHz)	型号	标称耦合度 (dB)	主线驻波比 Max.(:1)	耦合端驻波比 Max.(:1)	插入损耗* Max.(dB)	耦合度 Max.(dB)	平坦度 Max.(dB)	方向性 Min.(dB)	外形尺寸 LxWxH (mm)
1~50	D10N010500	10	1.8	1.8	3.5	10±1.0	±1.2	8	88.9×12.7×17.8
	D13N010500	13	1.8	1.8	2.6	13±0.8	±1.2	8	88.9×12.7×17.8
	D16N010500	16	1.8	1.8	2.6	16±0.8	±1.2	8	88.9×12.7×17.8
	D20N010500	20	1.8	1.8	2.5	20±1.0	±1.2	8	88.9×12.7×17.8
	D30N010500	30	1.8	1.8	2.2	30±1.1	±1.2	8	88.9×12.7×17.8
1~67	D10N010670	10	1.9	1.9	3.9	10±1.5	±1.5	7	88.9×12.7×17.8
	D13N010670	13	1.9	1.9	3.7	13±1.5	±1.5	7	88.9×12.7×17.8
	D16N010670	16	1.9	1.9	3.6	16±1.5	±1.5	7	88.9×12.7×17.8
	D20N010670	20	1.9	1.9	3.5	20±1.5	±1.5	7	88.9×12.7×17.8
2~18	D06N020180	6	1.6	1.6	2.3	6±0.6	±0.6	15	57.2×12.7×17.8
	D10N020180	10	1.4	1.4	1.3	10±0.5	±0.5	15	57.2×12.7×17.8
	D13N020180	13	1.4	1.4	1.3	13±0.5	±0.5	14	57.2×12.7×17.8
	D16N020180	16	1.4	1.4	0.8	16±0.5	±0.5	16	57.2×12.7×17.8
	D20N020180	20	1.4	1.4	0.7	20±0.5	±0.5	16	57.2×12.7×17.8
	D30N020180	30	1.4	1.4	0.7	30±0.5	±0.6	15	57.2×12.7×17.8
2~26.5	D06N020265	6	1.6	1.6	2.6	6±0.7	±0.8	13	57.2×12.7×17.8
	D10N020265	10	1.5	1.5	1.5	10±0.5	±0.7	13	57.2×12.7×17.8
	D13N020265	13	1.5	1.5	1.5	13±0.5	±0.7	13	57.2×12.7×17.8
	D16N020265	16	1.5	1.5	1.0	16±0.5	±0.7	13	57.2×12.7×17.8
	D20N020265	20	1.5	1.5	1.0	20±0.5	±0.6	14	57.2×12.7×17.8
	D30N020265	30	1.5	1.5	1.0	30±0.6	±0.8	13	57.2×12.7×17.8
2~40	D06N020400	6	1.7	1.7	3.6	6±0.8	±1.0	10	57.2×12.7×17.8
	D10N020400	10	1.7	1.7	1.9	10±0.6	±0.8	10	57.2×12.7×17.8
	D13N020400	13	1.7	1.7	2.1	13±0.7	±0.8	10	57.2×12.7×17.8
	D16N020400	16	1.6	1.6	1.6	16±0.8	±0.9	10	57.2×12.7×17.8
	D20N020400	20	1.7	1.7	1.5	20±0.7	±0.9	10	57.2×12.7×17.8
	D30N020400	30	1.7	1.7	1.4	30±0.8	±1.1	10	57.2×12.7×17.8
2~50	D10N020500	10	1.8	1.8	2.1	10±0.8	±0.8	8	57.2×12.7×17.8
	D13N020500	13	1.8	1.8	2.3	13±0.8	±1.0	8	57.2×12.7×17.8
	D16N020500	16	1.8	1.8	1.9	16±0.8	±1.0	8	57.2×12.7×17.8
	D20N020500	20	1.8	1.8	2.0	20±1.0	±1.1	8	57.2×12.7×17.8
	D30N020500	20	1.8	1.8	2.0	30±1.0	±1.2	8	57.2×12.7×17.8
2~67	D10N020670	10	1.9	1.9	2.7	10±1.2	±1.2	7	57.2×12.7×17.8
	D13N020670	13	1.9	1.9	2.9	13±1.3	±1.2	7	57.2×12.7×17.8
	D16N020670	16	1.9	1.9	2.8	16±1.3	±1.2	7	57.2×12.7×17.8
	D20N020670	20	1.9	1.9	2.8	20±1.3	±1.3	7	57.2×12.7×17.8
6~18	D06N060180	6	1.4	1.4	2.0	6±0.5	±0.7	15	31.8×12.7×17.8
	D10N060180	10	1.4	1.4	1.0	10±0.5	±0.4	15	31.8×12.7×15.9
	D13N060180	13	1.4	1.5	1.0	13±0.5	±0.5	14	31.8×12.7×15.9
	D16N060180	16	1.4	1.4	0.7	16±0.5	±0.4	15	31.8×12.7×15.9
	D20N060180	20	1.4	1.4	0.6	20±0.5	±0.4	15	31.8×12.7×15.9
	D30N060180	30	1.4	1.4	0.5	30±0.5	±0.5	15	31.8×12.7×15.9

\*包含理论耦合损耗

## DN系列超宽带单定向耦合器

工作频段 (GHz)	型号	标称耦合度 (dB)	主线驻波比 Max.(:1)	耦合端驻波比 Max.(:1)	插入损耗* Max.(dB)	耦合度 Max.(dB)	平坦度 Max.(dB)	方向性 Min.(dB)	外形尺寸 LxWxH (mm)
6~26.5	D06N060265	6	1.5	1.5	2.3	6±0.6	±0.8	13	31.8×12.7×15.9
	D10N060265	10	1.4	1.4	1.3	10±0.6	±0.6	13	31.8×12.7×15.9
	D13N060265	13	1.5	1.5	1.2	13±0.6	±0.6	13	31.8×12.7×15.9
	D16N060265	16	1.4	1.4	1.0	16±0.5	±0.6	13	31.8×12.7×15.9
	D20N060265	20	1.4	1.4	0.7	20±0.5	±0.5	14	31.8×12.7×15.9
	D30N060265	30	1.5	1.5	0.8	30±0.7	±0.5	13	31.8×12.7×15.9
6~40	D06N060400	6	1.7	1.7	2.6	6±0.8	±0.9	10	31.8×12.7×17.8
	D10N060400	10	1.6	1.6	1.6	10±0.7	±0.8	10	31.8×12.7×15.9
	D13N060400	13	1.7	1.7	1.4	13±0.7	±0.8	10	31.8×12.7×15.9
	D16N060400	16	1.7	1.7	1.3	16±0.7	±0.8	10	31.8×12.7×15.9
	D20N060400	20	1.6	1.6	1.3	20±0.7	±0.8	10	31.8×12.7×15.9
	D30N060400	30	1.7	1.7	1.0	30±0.7	±0.9	10	31.8×12.7×15.9
6~50	D10N060500	10	1.8	1.8	1.9	10±0.8	±0.8	8	31.8×12.7×15.9
	D13N060500	13	1.8	1.8	1.7	13±0.8	±0.8	8	31.8×12.7×15.9
	D16N060500	16	1.8	1.8	1.6	16±0.8	±0.8	8	31.8×12.7×15.9
	D20N060500	20	1.8	1.8	1.6	20±0.8	±0.8	8	31.8×12.7×15.9
	D30N060500	30	1.8	1.8	1.5	30±0.8	±1.0	8	31.8×12.7×15.9
6~67	D10N060670	10	1.9	1.9	2.5	10±1.1	±1.1	7	31.8×12.7×15.9
	D13N060670	13	1.9	1.9	2.3	13±1.1	±1.1	7	31.8×12.7×15.9
	D16N060670	16	1.9	1.9	2.2	16±1.1	±1.1	7	31.8×12.7×15.9
	D20N060670	20	1.9	1.9	2.0	20±1.1	±1.2	7	31.8×12.7×15.9
	D30N060670	30	1.9	1.9	2.0	30±1.2	±1.3	7	31.8×12.7×15.9
18~26.5	D06N180265	6	1.5	1.5	2.3	6±0.5	±0.5	14	31.8×12.7×15.9
	D10N180265	10	1.4	1.4	1.2	10±0.5	±0.3	14	31.8×12.7×15.9
	D13N180265	13	1.4	1.4	1.2	13±0.5	±0.5	14	31.8×12.7×15.9
	D16N180265	16	1.4	1.4	1.0	16±0.5	±0.5	14	31.8×12.7×15.9
	D20N180265	20	1.4	1.4	0.7	20±0.5	±0.5	14	31.8×12.7×15.9
	D30N180265	30	1.4	1.4	0.7	30±0.5	±0.5	14	31.8×12.7×15.9
18~40	D06N180400	6	1.7	1.7	2.6	6±0.7	±0.8	12	31.8×12.7×15.9
	D10N180400	10	1.6	1.6	1.5	10±0.7	±0.7	12	31.8×12.7×15.9
	D13N180400	13	1.7	1.7	1.3	13±0.7	±0.8	10	31.8×12.7×15.9
	D16N180400	16	1.6	1.7	1.2	16±0.6	±0.7	10	31.8×12.7×15.9
	D20N180400	20	1.6	1.6	1.2	20±0.6	±0.7	10	31.8×12.7×15.9
	D30N180400	30	1.7	1.7	1.0	30±0.6	±0.7	10	31.8×12.7×15.9
18~50	D10N180500	10	1.8	1.8	1.8	10±0.7	±0.7	9	31.8×12.7×15.9
	D13N180500	13	1.8	1.8	1.7	13±0.8	±0.7	8	31.8×12.7×15.9
	D16N180500	16	1.8	1.8	1.6	16±0.8	±0.7	8	31.8×12.7×15.9
	D20N180500	20	1.8	1.8	1.5	20±0.8	±0.7	8	31.8×12.7×15.9
	D30N180500	30	1.8	1.8	1.5	30±0.8	±0.9	8	31.8×12.7×15.9
18~67	D10N180670	10	1.9	1.9	2.5	10±1.0	±1.0	7	31.8×12.7×15.9
	D13N180670	13	1.9	1.9	2.3	13±1.0	±1.0	7	31.8×12.7×15.9
	D16N180670	16	1.9	1.9	2.2	16±1.0	±1.0	7	31.8×12.7×15.9
	D20N180670	20	1.9	1.9	2.0	20±1.0	±1.1	7	31.8×12.7×15.9
	D30N180670	30	1.9	1.9	2.0	30±1.1	±1.2	7	31.8×12.7×15.9

\*包含理论耦合损耗

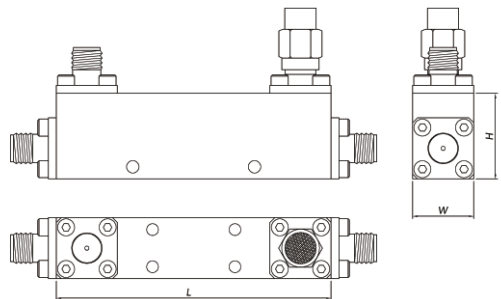
## DN系列超宽带单定向耦合器

工作频段 (GHz)	型号	标称耦合度 (dB)	主线驻波比 Max.(:1)	耦合端驻波比 Max.(:1)	插入损耗* Max.(dB)	耦合度 Max.(dB)	平坦度 Max.(dB)	方向性 Min.(dB)	外形尺寸 LxWxH (mm)
24~44 (5G)	D10N240440	10	1.7	1.7	1.7	10±0.6	±0.6	10	31.8×12.7×15.9
	D13N240440	13	1.7	1.7	1.4	13±0.7	±0.7	10	31.8×12.7×15.9
	D16N240440	16	1.7	1.7	1.4	16±0.7	±0.7	10	31.8×12.7×15.9
	D20N240440	20	1.7	1.7	1.4	20±0.7	±0.6	10	31.8×12.7×15.9
	D30N240440	30	1.7	1.7	1.3	30±0.7	±0.6	10	31.8×12.7×15.9
26.5~40	D06N265400	6	1.7	1.7	2.6	6±0.7	±0.6	12	31.8×12.7×15.9
	D10N265400	10	1.6	1.6	1.5	10±0.6	±0.5	12	31.8×12.7×15.9
	D13N265400	13	1.7	1.7	1.2	13±0.6	±0.7	11	31.8×12.7×15.9
	D16N265400	16	1.6	1.6	1.2	16±0.6	±0.7	11	31.8×12.7×15.9
	D20N265400	20	1.6	1.6	1.2	20±0.6	±0.5	12	31.8×12.7×15.9
	D30N265400	30	1.7	1.7	1.0	30±0.6	±0.7	10	31.8×12.7×15.9
26.5~50	D10N265500	10	1.8	1.8	1.8	10±0.6	±0.6	10	31.8×12.7×15.9
	D13N265500	13	1.8	1.8	1.7	13±0.7	±0.7	8	31.8×12.7×15.9
	D16N265500	16	1.8	1.8	1.6	16±0.7	±0.7	8	31.8×12.7×15.9
	D20N265500	20	1.8	1.8	1.5	20±0.7	±0.7	8	31.8×12.7×15.9
	D30N265500	30	1.8	1.8	1.5	30±0.7	±0.8	8	31.8×12.7×15.9
26.5~67	D10N265670	10	1.9	1.9	2.5	10±1.0	±1.0	7	31.8×12.7×15.9
	D13N265670	13	1.9	1.9	2.3	13±1.0	±1.0	7	31.8×12.7×15.9
	D16N265670	16	1.9	1.9	2.2	16±1.0	±1.0	7	31.8×12.7×15.9
	D20N265670	20	1.9	1.9	2.0	20±1.0	±1.0	7	31.8×12.7×15.9
	D30N265670	30	1.9	1.9	2.0	30±1.1	±1.1	7	31.8×12.7×15.9
40~67	D10N400670	10	1.9	1.9	2.5	10±1.0	±1.0	7	31.8×12.7×15.9
	D13N400670	13	1.9	1.9	2.3	13±1.0	±1.0	7	31.8×12.7×15.9
	D16N400670	16	1.9	1.9	2.2	16±1.0	±1.0	7	31.8×12.7×15.9
	D20N400670	20	1.9	1.9	2.0	20±1.0	±1.0	7	31.8×12.7×15.9
	D30N400670	30	1.9	1.9	2.0	30±1.1	±1.1	7	31.8×12.7×15.9

\*包含理论耦合损耗

### 单定向耦合器功率耦合理论损耗

耦合度 (dB)	理论损耗 (dB)
6	1.25
10	0.46
13	0.23
16	0.11
20	0.04
30	0.004



单定向耦合器外形尺寸示意图

## DB系列超宽带双定向耦合器

工作频段 (GHz)	型号	标称耦合度 (dB)	主线驻波比	耦合端驻波比	插入损耗*	耦合度	平坦度	方向性	外形尺寸 LxWxH (mm)
			Max.(:1)	Max.(:1)	Max.(dB)	Max.(dB)	Max.(dB)	Min.(dB)	
0.3~18	D10B003180	10	1.5	1.5	3.9	10±0.9	±1.3	15	350.9×17.5×23
	D20B003180	20	1.5	1.5	1.8	20±1.0	±1.2	14	178.4×12.7×24
	D30B003180	30	1.5	1.5	1.7	30±1.0	±1.2	14	178.4×12.7×24
0.45~6	D10B00450600	10	1.3	1.3	2.2	10±0.9	±1.0	18	223.5×15.4×15.9
	D20B00450600	20	1.3	1.3	0.8	20±0.8	±0.9	18	134×12.7×24
	D30B00450600	30	1.3	1.3	0.8	30±0.8	±0.9	18	134×12.7×24
0.45~8	D10B00450800	10	1.3	1.3	2.4	10±0.9	±1.0	18	223.5×15.4×15.9
	D20B00450800	20	1.3	1.3	0.9	20±0.8	±0.9	18	134×12.7×24
	D30B00450800	30	1.3	1.3	0.9	30±0.8	±0.9	16	134×12.7×24
0.5~18	D10B005180	10	1.5	1.5	3.3	10±0.7	±1.0	15	223.5×15.4×15.9
	D20B005180	20	1.5	1.5	1.5	20±0.8	±0.9	14	134×12.7×24
	D30B005180	30	1.5	1.5	1.4	30±0.8	±0.9	14	134×12.7×24
0.5~26.5	D10B005265	10	1.6	1.6	4.0	10±0.8	±1.2	14	223.5×15.4×15.9
	D20B005265	20	1.6	1.6	1.8	20±0.9	±1.0	12	134×12.7×24
	D30B005265	30	1.6	1.6	1.7	30±0.9	±1.0	12	134×12.7×24
0.5~40	D10B005400	10	1.7	1.7	5.0	10±0.9	±1.4	12	223.5×15.4×15.9
	D20B005400	20	1.7	1.7	2.4	20±1.0	±1.2	10	134×12.7×24
	D30B005400	30	1.7	1.7	2.3	30±1.0	±1.2	10	134×12.7×24
1~18	D10B010180	10	1.5	1.5	2.7	10±0.7	±0.9	15	140×12.7×15.9
	D20B010180	20	1.5	1.5	1.0	20±0.7	±0.7	14	78×12.7×24
	D30B010180	30	1.5	1.5	0.9	30±0.7	±0.7	14	78×12.7×24
1~26.5	D10B010265	10	1.6	1.6	3.1	10±0.8	±1.0	14	140×12.7×15.9
	D20B010265	20	1.6	1.6	1.3	20±0.8	±0.8	12	78×12.7×24
	D30B010265	30	1.6	1.6	1.2	30±0.8	±0.8	12	78×12.7×24
1~40	D10B010400	10	1.7	1.7	3.7	10±0.9	±1.2	11	140×12.7×15.9
	D20B010400	20	1.7	1.7	1.7	20±1.0	±1.0	10	78×12.7×24
	D30B010400	30	1.7	1.7	1.6	30±1.0	±1.0	10	78×12.7×24
1~50	D10B010500	10	1.8	1.8	4.6	10±1.2	±1.4	9	140×12.7×15.9
	D20B010500	20	1.8	1.8	3.8	20±1.2	±1.4	8	140×12.7×15.9
	D30B010500	30	1.8	1.8	3.7	30±1.2	±1.4	8	140×12.7×15.9
1~67	D10B010670	10	2.0	2.0	5.7	10±1.7	±1.7	8	140×12.7×15.9
2~18	D10B020180	10	1.5	1.5	2.4	10±0.7	±0.7	15	90×12.7×15.9
	D20B020180	20	1.5	1.5	0.9	20±0.7	±0.7	14	60×12.7×24
	D30B020180	30	1.5	1.5	0.8	30±0.7	±0.7	14	60×12.7×24
2~26.5	D10B020265	10	1.6	1.6	2.8	10±0.8	±0.8	14	90×12.7×15.9
	D20B020265	20	1.6	1.6	1.2	20±0.8	±0.8	12	60×12.7×24
	D30B020265	30	1.6	1.6	1.1	30±0.8	±0.8	12	60×12.7×24
2~40	D10B020400	10	1.7	1.7	3.3	10±0.9	±1.0	11	90×12.7×15.9
	D20B020400	20	1.7	1.7	1.5	20±1.0	±1.0	10	60×12.7×24
	D30B020400	30	1.7	1.7	1.4	30±1.0	±1.0	10	60×12.7×24
2~50	D10B020500	10	1.8	1.8	3.8	10±1.1	±1.2	9	90×12.7×15.9
	D20B020500	20	1.8	1.8	2.8	20±1.2	±1.3	8	90×12.7×15.9
	D30B020500	30	1.8	1.8	2.7	30±1.2	±1.3	8	90×12.7×15.9

\*包含理论耦合损耗

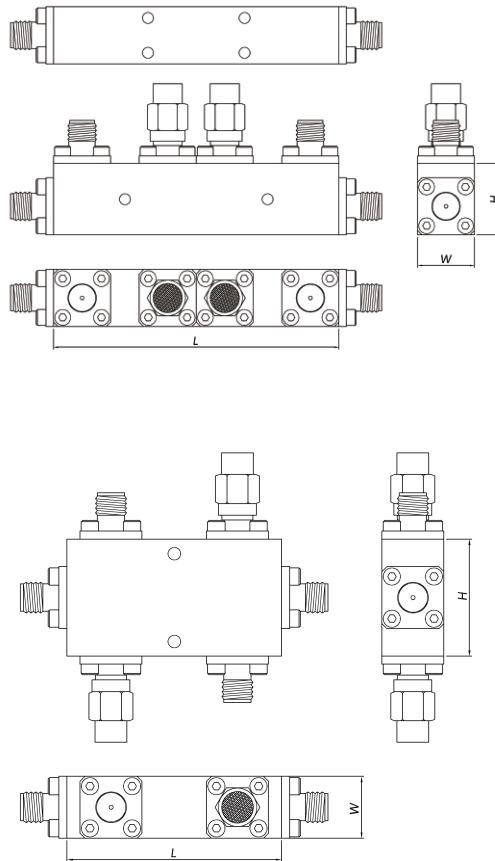
## DB系列超宽带双定向耦合器

工作频段 (GHz)	型号	标称耦合度 (dB)	主线驻波比 Max.(:1)	耦合端驻波比 Max.(:1)	插入损耗* Max.(dB)	耦合度 Max.(dB)	平坦度 Max.(dB)	方向性 Min.(dB)	外形尺寸 LxWxH (mm)
2~67	D10B020670	10	2.0	2.0	4.3	10±1.4	±1.4	8	90×12.7×15.9
6~18	D10B060180	10	1.5	1.5	2.0	10±0.7	±0.7	15	63.5×12.7×15.9
	D20B060180	20	1.5	1.5	0.8	20±0.7	±0.7	14	44×12.7×24
	D30B060180	30	1.5	1.5	0.7	30±0.7	±0.7	14	44×12.7×24
6~26.5	D10B060265	10	1.6	1.6	2.4	10±0.8	±0.8	14	63.5×12.7×15.9
	D20B060265	20	1.6	1.6	1.1	20±0.8	±0.8	12	44×12.7×24
	D30B060265	30	1.6	1.6	1.0	30±0.8	±0.8	12	44×12.7×24
6~40	D10B060400	10	1.7	1.7	2.8	10±0.9	±1.0	10	63.5×12.7×15.9
	D20B060400	20	1.7	1.7	1.4	20±1.0	±1.0	10	44×12.7×24
	D30B060400	30	1.7	1.7	1.3	30±1.0	±1.0	10	44×12.7×24
6~50	D10B060500	10	1.8	1.8	3.2	10±1.0	±1.1	9	63.5×12.7×15.9
	D20B060500	20	1.8	1.8	2.4	20±1.1	±1.1	8	63.5×12.7×15.9
	D30B060500	30	1.8	1.8	2.3	30±1.1	±1.1	8	63.5×12.7×15.9
6~67	D10B060670	10	2.0	2.0	3.7	10±1.2	±1.2	8	63.5×12.7×15.9
	D20B060670	20	2.0	2.0	3.1	20±1.2	±1.3	7	63.5×12.7×15.9
	D30B060670	30	2.0	2.0	3.0	30±1.2	±1.3	7	63.5×12.7×15.9
18~26.5	D10B180265	10	1.6	1.6	2.3	10±0.5	±0.5	14	63.5×12.7×15.9
	D20B180265	20	1.6	1.6	1.0	20±0.5	±0.5	12	44×12.7×24
	D30B180265	30	1.6	1.6	0.9	30±0.5	±0.5	12	44×12.7×24
18~40	D10B180400	10	1.7	1.7	2.7	10±0.7	±0.7	10	63.5×12.7×15.9
	D20B180400	20	1.7	1.7	1.4	20±0.7	±0.7	10	44×12.7×24
	D30B180400	30	1.7	1.7	1.3	30±0.7	±0.7	10	44×12.7×24
18~50	D10B180500	10	1.8	1.8	3.2	10±0.9	±0.9	9	63.5×12.7×15.9
	D20B180500	20	1.8	1.8	2.4	20±0.9	±0.9	8	63.5×12.7×15.9
	D30B180500	30	1.8	1.8	2.3	30±0.9	±0.9	8	63.5×12.7×15.9
18~67	D10B180670	10	2.0	2.0	3.7	10±1.1	±1.1	8	63.5×12.7×15.9
	D20B180670	20	2.0	2.0	3.1	20±1.1	±1.2	7	63.5×12.7×15.9
	D30B180670	30	2.0	2.0	3.0	30±1.1	±1.2	7	63.5×12.7×15.9
24~44(5G)	D10B240440	10	1.7	1.7	2.8	10±0.7	±0.8	10	63.5×12.7×15.9
	D20B240440	20	1.7	1.7	1.4	20±0.7	±0.8	10	44×12.7×24
	D30B240440	30	1.7	1.7	1.3	30±0.7	±0.8	10	44×12.7×24
26.5~40	D10B265400	10	1.7	1.7	2.7	10±0.5	±0.5	10	63.5×12.7×15.9
	D20B265400	20	1.7	1.7	1.3	20±0.7	±0.7	10	44×12.7×24
	D30B265400	30	1.7	1.7	1.2	30±0.7	±0.7	10	44×12.7×24
26.5~50	D10B265500	10	1.8	1.8	3.2	10±0.8	±0.8	9	63.5×12.7×15.9
	D20B265500	20	1.8	1.8	2.4	20±0.8	±0.8	8	63.5×12.7×15.9
	D30B265500	30	1.8	1.8	2.3	30±0.8	±0.8	8	63.5×12.7×15.9
26.5~67	D10B265670	10	2.0	2.0	3.7	10±1.1	±1.1	8	63.5×12.7×15.9
	D20B265670	20	2.0	2.0	3.1	20±1.1	±1.2	7	63.5×12.7×15.9
	D30B265670	30	2.0	2.0	3.0	30±1.1	±1.2	7	63.5×12.7×15.9
40~67	D10B400670	10	2.0	2.0	3.7	10±1.1	±1.1	8	63.5×12.7×15.9
	D20B400670	20	2.0	2.0	3.1	20±1.1	±1.2	7	63.5×12.7×15.9
	D30B400670	30	2.0	2.0	3.0	30±1.1	±1.2	7	63.5×12.7×15.9

\*包含理论耦合损耗

### 双定向耦合器功率耦合理论损耗

耦合度(dB)	理论损耗(dB)
10	0.92
13	0.46
16	0.22
20	0.08
30	0.008



双定向耦合器外形尺寸示意图

## DH系列大功率单定向耦合器

工作频段 (GHz)	型号	额定功率 Max.(W)	标称耦合度 (dB)	主线驻波比 Max.(∶1)	耦合端驻波比 Max.(∶1)	插入损耗* Max.(dB)	耦合度 Max.(dB)	平坦度 Max.(dB)	方向性 Min.(dB)	外形尺寸 (mm)
0.3~6	D3002H003060	120	30	1.3	1.3	0.8	30±1.0	±0.9	18	173×17.5×23
	D4002H003060	120	40	1.3	1.3	0.8	40±1.0	±0.9	18	173×17.5×23
	D3005H003060	250	30	1.4	1.4	0.6	30±0.9	±1.2	15	211.9×20×35
	D4005H003060	250	40	1.4	1.4	0.6	40±1.0	±1.3	15	211.9×20×35
	D3008H003060	400	30	1.4	1.4	0.6	30±0.9	±1.2	15	217.9×30×43.4
	D4008H003060	400	40	1.4	1.4	0.6	40±1.0	±1.3	15	217.9×30×43.4
	D3012H003060	600	30	1.4	1.4	0.6	30±0.9	±1.2	15	217.9×30×43.4
	D4012H003060	600	40	1.4	1.4	0.6	40±1.0	±1.3	15	217.9×30×43.4
0.3~8	D3002H003080	120	30	1.3	1.3	0.9	30±1.0	±0.9	18	173×17.5×23
	D4002H003080	120	40	1.3	1.3	0.9	40±1.0	±0.9	18	173×17.5×23
	D3005H003080	250	30	1.4	1.4	0.7	30±1.0	±1.3	14	211.9×20×35
	D4005H003080	250	40	1.4	1.4	0.7	40±1.1	±1.4	14	211.9×20×35
	D3008H003080	400	30	1.4	1.4	0.7	30±1.0	±1.3	14	217.9×30×43.4
	D4008H003080	400	40	1.4	1.4	0.7	40±1.1	±1.4	14	217.9×30×43.4
	D3012H003080	600	30	1.4	1.4	0.7	30±1.0	±1.3	14	217.9×30×43.4
	D4012H003080	600	40	1.4	1.4	0.7	40±1.1	±1.4	14	217.9×30×43.4
0.4~6	D3002H004060	120	30	1.3	1.3	0.7	30±1.0	±0.8	18	139.7×17.5×23
	D4002H004060	120	40	1.3	1.3	0.7	40±1.0	±0.8	18	139.7×17.5×23
	D3005H004060	250	30	1.3	1.3	0.6	30±0.8	±1.2	15	181.5×20×35
	D4005H004060	250	40	1.3	1.3	0.6	40±0.9	±1.3	15	181.5×20×35
	D3008H004060	400	30	1.3	1.3	0.6	30±0.8	±1.2	15	187.5×30×43.4
	D4008H004060	400	40	1.3	1.3	0.6	40±0.9	±1.3	15	187.5×30×43.4
	D3012H004060	600	30	1.3	1.3	0.6	30±0.8	±1.2	15	187.5×30×43.4
	D4012H004060	600	40	1.3	1.3	0.6	40±0.9	±1.3	15	187.5×30×43.4
0.4~8	D3002H004080	120	30	1.3	1.3	0.8	30±1.0	±0.8	18	139.7×17.5×23
	D4002H004080	120	40	1.3	1.3	0.8	40±1.0	±0.8	18	139.7×17.5×23
	D3005H004080	250	30	1.4	1.4	0.7	30±0.9	±1.3	14	181.5×20×35
	D4005H004080	250	40	1.4	1.4	0.7	40±1.0	±1.4	14	181.5×20×35
	D3008H004080	400	30	1.4	1.4	0.7	30±0.9	±1.3	14	187.5×30×43.4
	D4008H004080	400	40	1.4	1.4	0.7	40±1.0	±1.4	14	187.5×30×43.4
	D3012H004080	600	30	1.4	1.4	0.7	30±0.9	±1.3	14	187.5×30×43.4
	D4012H004080	600	40	1.4	1.4	0.7	40±1.0	±1.4	14	187.5×30×43.4
0.5~6	D3002H005060	120	30	1.3	1.3	0.6	30±1.0	±0.7	18	111.8×17.5×23
	D4002H005060	120	40	1.3	1.3	0.6	40±1.0	±0.7	18	111.8×17.5×23
	D3005H005060	250	30	1.3	1.3	0.4	30±0.7	±1.0	15	168.8×20×35
	D4005H005060	250	40	1.3	1.3	0.4	40±0.8	±1.1	15	168.8×20×35
	D3008H005060	400	30	1.3	1.3	0.4	30±0.7	±1.0	15	174.8×30×43.4
	D4008H005060	400	40	1.3	1.3	0.4	40±0.8	±1.1	15	174.8×30×43.4
	D3012H005060	600	30	1.3	1.3	0.4	30±0.7	±1.0	15	174.8×30×43.4
	D4012H005060	600	40	1.3	1.3	0.4	40±0.8	±1.1	15	174.8×30×43.4
0.5~8	D3002H005080	120	30	1.3	1.3	0.7	30±1.0	±0.7	16	111.8×17.5×23
	D4002H005080	120	40	1.3	1.3	0.7	40±1.0	±0.7	16	111.8×17.5×23
	D3005H005080	250	30	1.4	1.4	0.5	30±0.8	±1.1	14	168.8×20×35
	D4005H005080	250	40	1.4	1.4	0.5	40±0.9	±1.2	14	168.8×20×35
	D3008H005080	400	30	1.4	1.4	0.5	30±0.8	±1.1	14	174.8×30×43.4
	D4008H005080	400	40	1.4	1.4	0.5	40±0.9	±1.2	14	174.8×30×43.4
	D3012H005080	600	30	1.4	1.4	0.5	30±0.8	±1.1	14	174.8×30×43.4
	D4012H005080	600	40	1.4	1.4	0.5	40±0.9	±1.2	14	174.8×30×43.4

\*包含理论耦合损耗



## DH系列大功率单定向耦合器

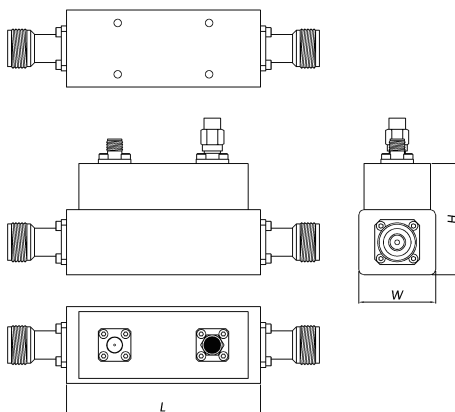
工作频段 (GHz)	型号	额定功率 Max.(W)	标称耦合度 (dB)	主线驻波比 Max.(˚1)	耦合端驻波比 Max.(˚1)	插入损耗* Max.(dB)	耦合度 Max.(dB)	平坦度 Max.(dB)	方向性 Min.(dB)	外形尺寸 (mm)
0.5~18	D3002H005180	120	30	1.5	1.6	1.0	30±1.2	±1.2	10	168.8×20×35
	D4002H005180	120	40	1.5	1.6	1.0	40±1.2	±1.4	10	168.8×20×35
	D3005H005180	250	30	1.5	1.6	1.0	30±1.2	±1.2	10	168.8×20×35
	D4005H005180	250	40	1.5	1.6	1.0	40±1.2	±1.4	10	168.8×20×35
	D3008H005180	400	30	1.5	1.6	1.0	30±1.2	±1.2	10	174.8×30×43.4
	D4008H005180	400	40	1.5	1.6	1.0	40±1.2	±1.4	10	174.8×30×43.4
0.7~6	D3002H007060	120	30	1.3	1.3	0.6	30±0.9	±0.7	18	111.8×17.5×23
	D4002H007060	120	40	1.3	1.3	0.5	40±0.9	±0.7	18	111.8×17.5×23
	D3005H007060	250	30	1.3	1.3	0.4	30±0.7	±0.9	15	138.3×20×35
	D4005H007060	250	40	1.3	1.3	0.4	40±0.7	±0.9	15	138.3×20×35
	D3008H007060	400	30	1.3	1.3	0.4	30±0.7	±0.9	15	144.3×30×43.4
	D4008H007060	400	40	1.3	1.3	0.4	40±0.7	±0.9	15	144.3×30×43.4
	D3012H007060	600	30	1.3	1.3	0.4	30±0.7	±0.9	15	144.3×30×43.4
D4012H007060	600	40	1.3	1.3	0.4	40±0.7	±0.9	15	144.3×30×43.4	
0.7~8	D3002H007080	120	30	1.3	1.3	0.7	30±0.9	±0.7	16	111.8×17.5×23
	D4002H007080	120	40	1.3	1.3	0.7	40±0.9	±0.7	16	111.8×17.5×23
	D3005H007080	250	30	1.4	1.4	0.5	30±0.8	±1.0	14	138.3×20×35
	D4005H007080	250	40	1.4	1.4	0.5	40±0.8	±1.0	14	138.3×20×35
	D3008H007080	400	30	1.4	1.4	0.5	30±0.8	±1.0	14	144.3×30×43.4
	D4008H007080	400	40	1.4	1.4	0.5	40±0.8	±1.0	14	144.3×30×43.4
	D3012H007080	600	30	1.4	1.4	0.5	30±0.8	±1.0	14	144.3×30×43.4
D4012H007080	600	40	1.4	1.4	0.5	40±0.8	±1.0	14	144.3×30×43.4	
0.7~18	D3002H007180	120	30	1.5	1.6	0.9	30±1.2	±1.1	10	138.3×20×35
	D4002H007180	120	40	1.5	1.6	0.9	40±1.2	±1.2	10	138.3×20×35
	D3005H007180	250	30	1.5	1.6	0.9	30±1.2	±1.1	10	138.3×20×35
	D4005H007180	250	40	1.5	1.6	0.9	40±1.2	±1.2	10	138.3×20×35
	D3008H007180	400	30	1.5	1.6	0.9	30±1.2	±1.1	10	144.3×30×43.4
	D4008H007180	400	40	1.5	1.6	0.9	40±1.2	±1.2	10	144.3×30×43.4
1~6	D3002H010060	120	30	1.3	1.3	0.5	30±0.8	±0.5	18	88.9×17.5×23
	D4002H010060	120	40	1.3	1.3	0.5	40±0.8	±0.5	18	88.9×17.5×23
	D3005H010060	250	30	1.3	1.3	0.4	30±0.7	±0.9	15	101.6×20×35
	D4005H010060	250	40	1.3	1.3	0.4	40±0.7	±0.9	15	101.6×20×35
	D3008H010060	400	30	1.3	1.3	0.4	30±0.7	±0.9	15	107.6×30×43.4
	D4008H010060	400	40	1.3	1.3	0.4	40±0.7	±0.9	15	107.6×30×43.4
	D3012H010060	600	30	1.3	1.3	0.4	30±0.7	±0.9	15	107.6×30×43.4
	D4012H010060	600	40	1.3	1.3	0.4	40±0.7	±0.9	15	107.6×30×43.4
1~8	D3002H010080	120	30	1.3	1.3	0.6	30±0.8	±0.5	18	88.9×17.5×23
	D4002H010080	120	40	1.3	1.3	0.6	40±0.8	±0.5	18	88.9×17.5×23
	D3005H010080	250	30	1.4	1.4	0.4	30±0.8	±0.9	14	101.6×20×35
	D4005H010080	250	40	1.4	1.4	0.4	40±0.8	±0.9	14	101.6×20×35
	D3008H010080	400	30	1.4	1.4	0.4	30±0.8	±0.9	14	107.6×30×43.4
	D4008H010080	400	40	1.4	1.4	0.4	40±0.8	±0.9	14	107.6×30×43.4
	D3012H010080	600	30	1.4	1.4	0.4	30±0.8	±0.9	14	107.6×30×43.4
	D4012H010080	600	40	1.4	1.4	0.4	40±0.8	±0.9	14	107.6×30×43.4
1~18	D3002H010180	120	30	1.5	1.6	0.6	30±1.2	±1.0	10	101.6×20×35
	D4002H010180	120	40	1.5	1.6	0.6	40±1.2	±1.0	10	101.6×20×35
	D3005H010180	250	30	1.5	1.6	0.6	30±1.2	±1.0	10	101.6×20×35
	D4005H010180	250	40	1.5	1.6	0.6	40±1.2	±1.0	10	101.6×20×35

\*包含理论耦合损耗

## DH系列大功率单定向耦合器

工作频段 (GHz)	型号	额定功率 Max.(W)	标称耦合度 (dB)	主线驻波比 Max.(∶1)	耦合端驻波比 Max.(∶1)	插入损耗* Max.(dB)	耦合度 Max.(dB)	平坦度 Max.(dB)	方向性 Min.(dB)	外形尺寸 (mm)
1~18	D3008H010180	400	30	1.5	1.6	0.6	30±1.2	±1.0	10	107.6×30×43.4
	D4008H010180	400	40	1.5	1.6	0.6	40±1.2	±1.0	10	107.6×30×43.4
2~6	D3002H020060	120	30	1.3	1.3	0.4	30±0.8	±0.5	18	57.2×17.5×23
	D4002H020060	120	40	1.3	1.3	0.4	40±0.8	±0.5	18	57.2×17.5×23
	D3005H020060	250	30	1.3	1.3	0.4	30±0.7	±0.7	15	80.7×20×35
	D4005H020060	250	40	1.3	1.3	0.4	40±0.7	±0.7	15	80.7×20×35
	D3008H020060	400	30	1.3	1.3	0.4	30±0.7	±0.7	15	86.7×30×43.4
	D4008H020060	400	40	1.3	1.3	0.4	40±0.7	±0.7	15	86.7×30×43.4
	D3012H020060	600	30	1.3	1.3	0.4	30±0.7	±0.7	15	86.7×30×43.4
	D4012H020060	600	40	1.3	1.3	0.4	40±0.7	±0.7	15	86.7×30×43.4
2~8	D3002H020080	120	30	1.3	1.3	0.5	30±0.8	±0.5	18	57.2×17.5×23
	D4002H020080	120	40	1.3	1.3	0.5	40±0.8	±0.5	18	57.2×17.5×23
	D3005H020080	250	30	1.4	1.4	0.4	30±0.8	±0.7	14	80.7×20×35
	D4005H020080	250	40	1.4	1.4	0.4	40±0.8	±0.7	14	80.7×20×35
	D3008H020080	400	30	1.4	1.4	0.4	30±0.8	±0.7	14	86.7×30×43.4
	D4008H020080	400	40	1.4	1.4	0.4	40±0.8	±0.7	14	86.7×30×43.4
	D3012H020080	600	30	1.4	1.4	0.4	30±0.8	±0.7	14	86.7×30×43.4
	D4012H020080	600	40	1.4	1.4	0.4	40±0.8	±0.7	14	86.7×30×43.4
2~18	D3002H020180	120	30	1.5	1.6	0.6	30±1.0	±0.8	10	80.7×20×35
	D4002H020180	120	40	1.5	1.6	0.6	40±1.0	±0.8	10	80.7×20×35
	D3005H020180	250	30	1.5	1.6	0.6	30±1.0	±0.8	10	80.7×20×35
	D4005H020180	250	40	1.5	1.6	0.6	40±1.0	±0.8	10	80.7×20×35
	D3008H020180	400	30	1.5	1.6	0.6	30±1.0	±0.8	10	86.7×30×43.4
	D4008H020180	400	40	1.5	1.6	0.6	40±1.0	±0.8	10	86.7×30×43.4
6~18	D3002H060180	120	30	1.5	1.6	0.5	30±1.0	±0.7	10	69.7×20×35
	D4002H060180	120	40	1.5	1.6	0.5	40±1.0	±0.7	10	69.7×20×35
	D3005H060180	250	30	1.5	1.6	0.5	30±1.0	±0.7	10	69.7×20×35
	D4005H060180	250	40	1.5	1.6	0.5	40±1.0	±0.7	10	69.7×20×35
	D3008H060180	400	30	1.5	1.6	0.5	30±1.0	±0.7	10	75.7×30×43.4
	D4008H060180	400	40	1.5	1.6	0.5	40±1.0	±0.7	10	75.7×30×43.4

\*包含理论耦合损耗



大功率单定向耦合器外形尺寸示意图

## DHB系列大功率双定向耦合器

工作频段 (GHz)	型号	额定功率 Max.(W)	标称耦合度 (dB)	主线驻波比 Max.( $\tau$ )	耦合端驻波比 Max.( $\tau$ )	插入损耗* Max.(dB)	耦合度 Max.(dB)	平坦度 Max.(dB)	方向性 Min.(dB)	外形尺寸 (mm)
0.3~6	D3002HB003060	120	30	1.3	1.3	0.8	30 $\pm$ 1.0	$\pm$ 1.1	18	173 $\times$ 17.5 $\times$ 30
	D4002HB003060	120	40	1.3	1.3	0.8	40 $\pm$ 1.0	$\pm$ 1.1	18	173 $\times$ 17.5 $\times$ 30
	D3005HB003060	250	30	1.4	1.4	0.7	30 $\pm$ 0.9	$\pm$ 1.5	15	211.9 $\times$ 20 $\times$ 45
	D4005HB003060	250	40	1.4	1.4	0.7	40 $\pm$ 1.0	$\pm$ 1.6	15	211.9 $\times$ 20 $\times$ 45
	D3008HB003060	400	30	1.4	1.4	0.7	30 $\pm$ 0.9	$\pm$ 1.5	15	225.9 $\times$ 25.4 $\times$ 47.5
	D4008HB003060	400	40	1.4	1.4	0.7	40 $\pm$ 1.0	$\pm$ 1.6	15	225.9 $\times$ 25.4 $\times$ 47.5
	D3012HB003060	600	30	1.4	1.4	0.7	30 $\pm$ 0.9	$\pm$ 1.5	15	225.9 $\times$ 25.4 $\times$ 47.5
	D4012HB003060	600	40	1.4	1.4	0.7	40 $\pm$ 1.0	$\pm$ 1.6	15	225.9 $\times$ 25.4 $\times$ 47.5
0.3~8	D3002HB003080	120	30	1.3	1.3	0.9	30 $\pm$ 1.0	$\pm$ 1.1	18	173 $\times$ 17.5 $\times$ 30
	D4002HB003080	120	40	1.3	1.3	0.9	40 $\pm$ 1.0	$\pm$ 1.1	18	173 $\times$ 17.5 $\times$ 30
	D3005HB003080	250	30	1.4	1.4	0.8	30 $\pm$ 1.0	$\pm$ 1.6	14	211.9 $\times$ 20 $\times$ 45
	D4005HB003080	250	40	1.4	1.4	0.8	40 $\pm$ 1.1	$\pm$ 1.7	14	211.9 $\times$ 20 $\times$ 45
	D3008HB003080	400	30	1.4	1.4	0.8	30 $\pm$ 1.0	$\pm$ 1.6	14	225.9 $\times$ 25.4 $\times$ 47.5
	D4008HB003080	400	40	1.4	1.4	0.8	40 $\pm$ 1.1	$\pm$ 1.7	14	225.9 $\times$ 25.4 $\times$ 47.5
	D3012HB003080	600	30	1.4	1.4	0.8	30 $\pm$ 1.0	$\pm$ 1.6	14	225.9 $\times$ 25.4 $\times$ 47.5
	D4012HB003080	600	40	1.4	1.4	0.8	40 $\pm$ 1.1	$\pm$ 1.7	14	225.9 $\times$ 25.4 $\times$ 47.5
0.4~6	D3002HB004060	120	30	1.3	1.3	0.7	30 $\pm$ 1.0	$\pm$ 1.0	18	139.7 $\times$ 17.5 $\times$ 30
	D4002HB004060	120	40	1.3	1.3	0.7	40 $\pm$ 1.0	$\pm$ 1.0	18	139.7 $\times$ 17.5 $\times$ 30
	D3005HB004060	250	30	1.3	1.3	0.6	30 $\pm$ 0.8	$\pm$ 1.4	15	181.5 $\times$ 20 $\times$ 45
	D4005HB004060	250	40	1.3	1.3	0.6	40 $\pm$ 0.9	$\pm$ 1.5	15	181.5 $\times$ 20 $\times$ 45
	D3008HB004060	400	30	1.3	1.3	0.6	30 $\pm$ 0.8	$\pm$ 1.4	15	195.5 $\times$ 25.4 $\times$ 47.5
	D4008HB004060	400	40	1.3	1.3	0.6	40 $\pm$ 0.9	$\pm$ 1.5	15	195.5 $\times$ 25.4 $\times$ 47.5
	D3012HB004060	600	30	1.3	1.3	0.6	30 $\pm$ 0.8	$\pm$ 1.4	15	195.5 $\times$ 25.4 $\times$ 47.5
	D4012HB004060	600	40	1.3	1.3	0.6	40 $\pm$ 0.9	$\pm$ 1.5	15	195.5 $\times$ 25.4 $\times$ 47.5
0.4~8	D3002HB004080	120	30	1.3	1.3	0.8	30 $\pm$ 1.0	$\pm$ 1.0	18	139.7 $\times$ 17.5 $\times$ 30
	D4002HB004080	120	40	1.3	1.3	0.8	40 $\pm$ 1.0	$\pm$ 1.0	18	139.7 $\times$ 17.5 $\times$ 30
	D3005HB004080	250	30	1.4	1.4	0.7	30 $\pm$ 0.9	$\pm$ 1.5	14	181.5 $\times$ 20 $\times$ 45
	D4005HB004080	250	40	1.4	1.4	0.7	40 $\pm$ 1.0	$\pm$ 1.6	14	181.5 $\times$ 20 $\times$ 45
	D3008HB004080	400	30	1.4	1.4	0.7	30 $\pm$ 0.9	$\pm$ 1.5	14	195.5 $\times$ 25.4 $\times$ 47.5
	D4008HB004080	400	40	1.4	1.4	0.7	40 $\pm$ 1.0	$\pm$ 1.6	14	195.5 $\times$ 25.4 $\times$ 47.5
	D3012HB004080	600	30	1.4	1.4	0.7	30 $\pm$ 0.9	$\pm$ 1.5	14	195.5 $\times$ 25.4 $\times$ 47.5
	D4012HB004080	600	40	1.4	1.4	0.7	40 $\pm$ 1.0	$\pm$ 1.6	14	195.5 $\times$ 25.4 $\times$ 47.5
0.5~6	D3002HB005060	120	30	1.3	1.3	0.6	30 $\pm$ 1.0	$\pm$ 1.0	18	111.8 $\times$ 17.5 $\times$ 30
	D4002HB005060	120	40	1.3	1.3	0.6	40 $\pm$ 1.0	$\pm$ 1.0	18	111.8 $\times$ 17.5 $\times$ 30
	D3005HB005060	250	30	1.3	1.3	0.6	30 $\pm$ 0.7	$\pm$ 1.2	15	168.8 $\times$ 20 $\times$ 45
	D4005HB005060	250	40	1.3	1.3	0.6	40 $\pm$ 0.8	$\pm$ 1.3	15	168.8 $\times$ 20 $\times$ 45
	D3008HB005060	400	30	1.3	1.3	0.6	30 $\pm$ 0.7	$\pm$ 1.2	15	182.8 $\times$ 25.4 $\times$ 47.5
	D4008HB005060	400	40	1.3	1.3	0.6	40 $\pm$ 0.8	$\pm$ 1.3	15	182.8 $\times$ 25.4 $\times$ 47.5
	D3012HB005060	600	30	1.3	1.3	0.6	30 $\pm$ 0.7	$\pm$ 1.2	15	182.8 $\times$ 25.4 $\times$ 47.5
	D4012HB005060	600	40	1.3	1.3	0.6	40 $\pm$ 0.8	$\pm$ 1.3	15	182.8 $\times$ 25.4 $\times$ 47.5
0.5~8	D3002HB005080	120	30	1.3	1.3	0.7	30 $\pm$ 1.0	$\pm$ 1.0	18	111.8 $\times$ 17.5 $\times$ 30
	D4002HB005080	120	40	1.3	1.3	0.7	40 $\pm$ 1.0	$\pm$ 1.0	18	111.8 $\times$ 17.5 $\times$ 30
	D3005HB005080	250	30	1.4	1.4	0.7	30 $\pm$ 0.8	$\pm$ 1.3	14	168.8 $\times$ 20 $\times$ 45
	D4005HB005080	250	40	1.4	1.4	0.7	40 $\pm$ 0.9	$\pm$ 1.4	14	168.8 $\times$ 20 $\times$ 45
	D3008HB005080	400	30	1.4	1.4	0.7	30 $\pm$ 0.8	$\pm$ 1.3	14	182.8 $\times$ 25.4 $\times$ 47.5
	D4008HB005080	400	40	1.4	1.4	0.7	40 $\pm$ 0.9	$\pm$ 1.4	14	182.8 $\times$ 25.4 $\times$ 47.5
	D3012HB005080	600	30	1.4	1.4	0.7	30 $\pm$ 0.8	$\pm$ 1.3	14	182.8 $\times$ 25.4 $\times$ 47.5
	D4012HB005080	600	40	1.4	1.4	0.7	40 $\pm$ 0.9	$\pm$ 1.4	14	182.8 $\times$ 25.4 $\times$ 47.5

\*包含理论耦合损耗

## DHB系列大功率双定向耦合器

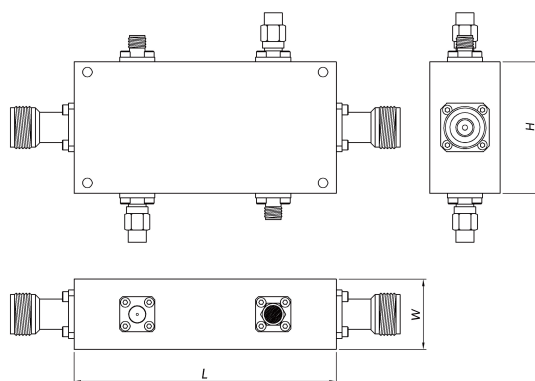
工作频段 (GHz)	型号	额定功率 Max.(W)	标称耦合度 (dB)	主线驻波比 Max.(˚1)	耦合端驻波比 Max.(˚1)	插入损耗* Max.(dB)	耦合度 Max.(dB)	平坦度 Max.(dB)	方向性 Min.(dB)	外形尺寸 (mm)
0.5~18	D3002HB005180	120	30	1.5	1.6	1.0	30±1.2	±1.5	10	168.8×20×45
	D4002HB005180	120	40	1.5	1.6	1.0	40±1.2	±1.7	10	168.8×20×45
	D3005HB005180	250	30	1.5	1.6	1.0	30±1.2	±1.5	10	168.8×20×45
	D4005HB005180	250	40	1.5	1.6	1.0	40±1.2	±1.7	10	168.8×20×45
	D3008HB005180	400	30	1.5	1.6	1.0	30±1.2	±1.5	10	182.8×25.4×47.5
	D4008HB005180	400	40	1.5	1.6	1.0	40±1.2	±1.7	10	182.8×25.4×47.5
0.7~6	D3002HB007060	120	30	1.3	1.3	0.6	30±1.0	±1.0	18	111.8×17.5×30
	D4002HB007060	120	40	1.3	1.3	0.6	40±1.0	±1.0	18	111.8×17.5×30
	D3005HB007060	250	30	1.3	1.3	0.5	30±0.7	±1.1	15	138.3×20×45
	D4005HB007060	250	40	1.3	1.3	0.5	40±0.7	±1.1	15	138.3×20×45
	D3008HB007060	400	30	1.3	1.3	0.5	30±0.7	±1.1	15	152.3×25.4×47.5
	D4008HB007060	400	40	1.3	1.3	0.5	40±0.7	±1.1	15	152.3×25.4×47.5
	D3012HB007060	600	30	1.3	1.3	0.5	30±0.7	±1.1	15	152.3×25.4×47.5
D4012HB007060	600	40	1.3	1.3	0.5	40±0.7	±1.1	15	152.3×25.4×47.5	
0.7~8	D3002HB007080	120	30	1.3	1.3	0.7	30±1.0	±1.0	18	111.8×17.5×30
	D4002HB007080	120	40	1.3	1.3	0.7	40±1.0	±1.0	18	111.8×17.5×30
	D3005HB007080	250	30	1.4	1.4	0.6	30±0.8	±1.2	14	138.3×20×45
	D4005HB007080	250	40	1.4	1.4	0.6	40±0.8	±1.2	14	138.3×20×45
	D3008HB007080	400	30	1.4	1.4	0.6	30±0.8	±1.2	14	152.3×25.4×47.5
	D4008HB007080	400	40	1.4	1.4	0.6	40±0.8	±1.2	14	152.3×25.4×47.5
	D3012HB007080	600	30	1.4	1.4	0.6	30±0.8	±1.2	14	152.3×25.4×47.5
D4012HB007080	600	40	1.4	1.4	0.6	40±0.8	±1.2	14	152.3×25.4×47.5	
0.7~18	D3002HB007180	120	30	1.5	1.6	0.9	30±1.2	±1.4	10	138.3×20×45
	D4002HB007180	120	40	1.5	1.6	0.9	40±1.2	±1.5	10	138.3×20×45
	D3005HB007180	250	30	1.5	1.6	0.9	30±1.2	±1.4	10	138.3×20×45
	D4005HB007180	250	40	1.5	1.6	0.9	40±1.2	±1.5	10	138.3×20×45
	D3008HB007180	400	30	1.5	1.6	0.9	30±1.2	±1.4	10	152.3×25.4×47.5
D4008HB007180	400	40	1.5	1.6	0.9	40±1.2	±1.5	10	152.3×25.4×47.5	
1~6	D3002HB010060	120	30	1.3	1.3	0.5	30±0.8	±0.7	18	88.9×17.5×30
	D4002HB010060	120	40	1.3	1.3	0.5	40±0.8	±0.7	18	88.9×17.5×30
	D3005HB010060	250	30	1.3	1.3	0.5	30±0.7	±1.1	15	101.6×20×45
	D4005HB010060	250	40	1.3	1.3	0.5	40±0.7	±1.1	15	101.6×20×45
	D3008HB010060	400	30	1.3	1.3	0.5	30±0.7	±1.1	15	115.6×25.4×47.5
	D4008HB010060	400	40	1.3	1.3	0.4	40±0.7	±1.1	15	115.6×25.4×47.5
	D3012HB010060	600	30	1.3	1.3	0.5	30±0.7	±1.1	15	115.6×25.4×47.5
	D4012HB010060	600	40	1.3	1.3	0.5	40±0.7	±1.1	15	115.6×25.4×47.5
1~8	D3002HB010080	120	30	1.3	1.3	0.6	30±0.8	±0.7	18	88.9×17.5×30
	D4002HB010080	120	40	1.3	1.3	0.6	40±0.8	±0.7	18	88.9×17.5×30
	D3005HB010080	250	30	1.4	1.4	0.6	30±0.8	±1.1	14	101.6×20×45
	D4005HB010080	250	40	1.4	1.4	0.6	40±0.8	±1.1	14	101.6×20×45
	D3008HB010080	400	30	1.4	1.4	0.6	30±0.8	±1.1	14	115.6×25.4×47.5
	D4008HB010080	400	40	1.4	1.4	0.6	40±0.8	±1.1	14	115.6×25.4×47.5
	D3012HB010080	600	30	1.4	1.4	0.6	30±0.8	±1.1	14	115.6×25.4×47.5
	D4012HB010080	600	40	1.4	1.4	0.6	40±0.8	±1.1	14	115.6×25.4×47.5
1~18	D3002HB010180	120	30	1.5	1.6	0.8	30±1.2	±1.2	10	101.6×20×45
	D4002HB010180	120	40	1.5	1.6	0.8	40±1.2	±1.2	10	101.6×20×45
	D3005HB010180	250	30	1.5	1.6	0.8	30±1.2	±1.2	10	101.6×20×45
	D4005HB010180	250	40	1.5	1.6	0.8	40±1.2	±1.2	10	101.6×20×45

\*包含理论耦合损耗

## DHB系列大功率双定向耦合器

工作频段 (GHz)	型号	额定功率 Max.(W)	标称耦合度 (dB)	主线驻波比 Max.(∶1)	耦合端驻波比 Max.(∶1)	插入损耗* Max.(dB)	耦合度 Max.(dB)	平坦度 Max.(dB)	方向性 Min.(dB)	外形尺寸 (mm)
1~18	D3008HB010180	400	30	1.5	1.6	0.8	30±1.2	±1.2	10	115.6×25.4×47.5
	D4008HB010180	400	40	1.5	1.6	0.8	40±1.2	±1.2	10	115.6×25.4×47.5
2~6	D3002HB020060	120	30	1.3	1.3	0.4	30±0.8	±0.7	18	57.2×17.5×30
	D4002HB020060	120	40	1.3	1.3	0.4	40±0.8	±0.7	18	57.2×17.5×30
	D3005HB020060	250	30	1.3	1.3	0.4	30±0.7	±0.9	15	80.7×20×45
	D4005HB020060	250	40	1.3	1.3	0.4	40±0.7	±0.9	15	80.7×20×45
	D3008HB020060	400	30	1.3	1.3	0.4	30±0.7	±0.9	15	94.7×25.4×47.5
	D4008HB020060	400	40	1.3	1.3	0.4	40±0.7	±0.9	15	94.7×25.4×47.5
	D3012HB020060	600	30	1.3	1.3	0.4	30±0.7	±0.9	15	94.7×25.4×47.5
	D4012HB020060	600	40	1.3	1.3	0.4	40±0.7	±0.9	15	94.7×25.4×47.5
2~8	D3002HB020080	120	30	1.3	1.3	0.5	30±0.8	±0.7	18	57.2×17.5×30
	D4002HB020080	120	40	1.3	1.3	0.5	40±0.8	±0.7	18	57.2×17.5×30
	D3005HB020080	250	30	1.4	1.4	0.4	30±0.8	±0.9	14	80.7×20×45
	D4005HB020080	250	40	1.4	1.4	0.4	40±0.8	±0.9	14	80.7×20×45
	D3008HB020080	400	30	1.4	1.4	0.4	30±0.8	±0.9	14	94.7×25.4×47.5
	D4008HB020080	400	40	1.4	1.4	0.4	40±0.8	±0.9	14	94.7×25.4×47.5
	D3012HB020080	600	30	1.4	1.4	0.4	30±0.8	±0.9	14	94.7×25.4×47.5
	D4012HB020080	600	40	1.4	1.4	0.4	40±0.8	±0.9	14	94.7×25.4×47.5
2~18	D3002HB020180	120	30	1.5	1.6	0.6	30±1.0	±1.0	10	80.7×20×45
	D4002HB020180	120	40	1.5	1.6	0.6	40±1.0	±1.0	10	80.7×20×45
	D3005HB020180	250	30	1.5	1.6	0.6	30±1.0	±1.0	10	80.7×20×45
	D4005HB020180	250	40	1.5	1.6	0.6	40±1.0	±1.0	10	80.7×20×45
	D3008HB020180	400	30	1.5	1.6	0.6	30±1.0	±1.0	10	94.7×25.4×47.5
	D4008HB020180	400	40	1.5	1.6	0.6	40±1.0	±1.0	10	94.7×25.4×47.5
6~18	D3002HB060180	120	30	1.5	1.6	0.5	30±1.0	±0.9	10	69.7×20×45
	D4002HB060180	120	40	1.5	1.6	0.5	40±1.0	±0.9	10	69.7×20×45
	D3005HB060180	250	30	1.5	1.6	0.5	30±1.0	±0.9	10	69.7×20×45
	D4005HB060180	250	40	1.5	1.6	0.5	40±1.0	±0.9	10	69.7×20×45
	D3008HB060180	400	30	1.5	1.6	0.5	30±1.0	±0.9	10	83.7×25.4×47.5
	D4008HB060180	400	40	1.5	1.6	0.5	40±1.0	±0.9	10	83.7×25.4×47.5

\*包含理论耦合损耗

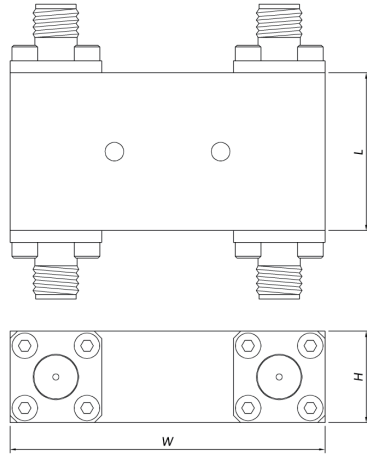


大功率双定向耦合器外形尺寸示意图

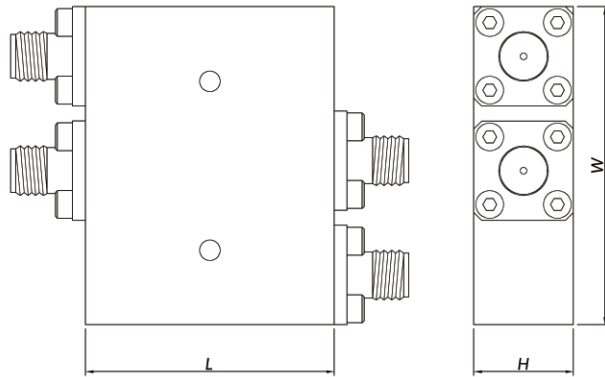
## QN/HN系列超宽带90°/180° 3dB电桥

标称相位差 (Deg.)	工作频段 (GHz)	型号	端口驻波比 Max.(1)	插入损耗* Max.(dB)	幅度平衡 Max.(dB)	相位平衡 Max.(Deg.)	隔离度 Min.(dB)	外形尺寸 LxWxH (mm)
90°	0.3~6	QN003060	1.5	2.2	±1.1	±7	14	35×280×14
	0.5~6	QN005060	1.4	1.4	±0.5	±5	19	35.6×215.9×12.7
	0.5~8	QN005080	1.4	1.6	±0.7	±5	19	35.6×215.9×12.7
	0.5~9	QN005090	1.4	1.8	±0.7	±5	19	35.6×215.9×12.7
	0.6~18	QN006180	1.4	3.0	±1.0	±8	16	35.6×173.7×12.7
	1~6	QN010060	1.3	0.9	±0.4	±4	18	26×109×10
	1~12.4	QN010124	1.4	1.4	±0.8	±6	18	31.8×117.6×12.7
	1~18	QN010180	1.4	2.0	±0.8	±8	17	31.8×117.6×12.7
	2~12.4	QN020124	1.4	1.1	±0.6	±5	18	33×72.4×12.7
	2~18	QN020180	1.5	1.6	±0.7	±8	17	33×72.4×12.7
	2~26.5	QN020265	1.6	2.0	±1.1	±10	14	33×72.4×12.7
	6~18	QN060180	1.5	1.1	±0.5	±4	17	26×36×10
	6~26.5	QN060265	1.6	1.8	±0.7	±8	15	21.9×43.7×12.7
	6~40	QN060400	1.8	2.0	±1.2	±10	14	21.9×43.7×12.7
	6~50	QN060500	1.9	2.7	±1.2	±12	12	21.9×43.7×12.7
	18~26.5	QN180265	1.6	1.7	±0.6	±8	15	21.9×43.7×12.7
	18~40	QN180400	1.7	2.0	±0.6	±9	14	21.9×43.7×12.7
	18~50	QN180500	1.9	2.7	±1.0	±12	12	21.9×43.7×12.7
	24~44(5G)	QN240440	1.8	2.3	±0.8	±10	14	21.9×43.7×12.7
	26.5~40	QN265400	1.7	2.0	±0.6	±8	14	21.9×43.7×12.7
26.5~50	QN265500	1.9	2.7	±1.0	±11	12	21.9×43.7×12.7	
180°	0.5~6	HN005060	1.4	3.0	±1.0	±9	18	71.1×254×12.7
	0.5~8	HN005080	1.4	3.6	±1.0	±9	18	71.1×254×12.7
	0.5~9	HN005090	1.4	3.9	±1.0	±9	18	71.1×254×12.7
	1~6	HN010060	1.4	1.8	±0.7	±7	18	44.5×150×12.7
	1~12.4	HN010124	1.5	2.6	±0.7	±8	17	44.5×150×12.7
	1~18	HN010180	1.6	3.3	±1.0	±10	16	44.5×150×12.7
	1~20	HN010200	1.6	3.6	±1.1	11	15	44.5×150×12.7
	2~12.4	HN020124	1.5	1.8	±0.5	±8	17	34.3×77.2×12.7
	2~18	HN020180	1.6	2.0	±0.7	±9	16	34.3×77.2×12.7
	2~26.5	HN020265	1.7	3.2	±1.0	±12	15	34.3×77.2×12.7
	6~18	HN060180	1.6	1.5	±0.6	±8	16	40×40.6×12.7
	6~26.5	HN060265	1.7	2.0	±0.8	±10	15	40×40.6×12.7
	6~40	HN060400	1.8	3.0	±1.2	±12	14	40×40.6×12.7
	6~50	HN060500	2.0	3.8	±1.5	±15	12	40×40.6×12.7
	18~26.5	HN180265	1.7	1.9	±0.7	±9	15	40×40.6×12.7
	18~40	HN180400	1.8	2.9	±1.2	±12	15	40×40.6×12.7
	18~50	HN180500	1.9	3.8	±1.4	±14	12	40×40.6×12.7
	24~44(5G)	HN240440	1.8	3.4	±1.1	±11	14	40×40.6×12.7
	26.5~40	HN265400	1.7	2.9	±1.0	±10	15	40×40.6×12.7
	26.5~50	HN265500	1.9	3.8	±1.4	±13	12	40×40.6×12.7

\*不包含理论耦合分配损耗3dB



90° 3dB电桥外形尺寸示意图




180° 3dB电桥外形尺寸示意图




# 全国销售服务网络



**MiCable**  **400-918-0388**

福建迈可博电子科技集团股份有限公司

 福建省福州市铜盘路软件大道软件园 A 区 29 栋 5 楼


 [www.micable.cn](http://www.micable.cn)  [Sales@micable.cn](mailto:Sales@micable.cn)  0591-87382857



迈可博微信公众号

**Mitron**  **400-887-3088**

国内销售代理——福州伟博电讯有限公司

 福建省福州市台江区宁化街道望龙二路长汀街 23 号 ICC 升龙环球中心 20 层

 0591-87870001(总部)  [www.mitron.cn](http://www.mitron.cn)  [Sales@mitron.cn](mailto:Sales@mitron.cn)  0591-87870011



伟博电讯微信公众号

北京分公司	上海分公司	南京分公司	武汉分公司	成都分公司	西安分公司	深圳分公司	香港分公司
 010-62898691	 021-58968955	 025-87702131	 027-87737881	 028-86658422	 029-85725769	 0755-82870682	 852-28081816

欢迎联系我们获取更多信息、更高功率无源器件以及定制产品!